
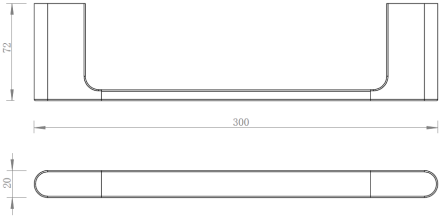


Sync Towel Holder

| Product Image | Technical Specification |
|---|--|
|  |  |

| Description |
|---|
| <p>Sync Towel Holder 300mm</p> <p>YS1155 Chrome</p> |

| Attributes |
|---|
| <ul style="list-style-type: none"> • Made from top quality brass • Warranty : 7/1 years |

*All dimensions are in millimeters and are subject to normal manufacturing variations. Actual dimensions should be checked prior to installation. Yushi pursues a policy of continuing improvement in design and performance of its products. The right is therefore reserved to vary specifications without notice.