
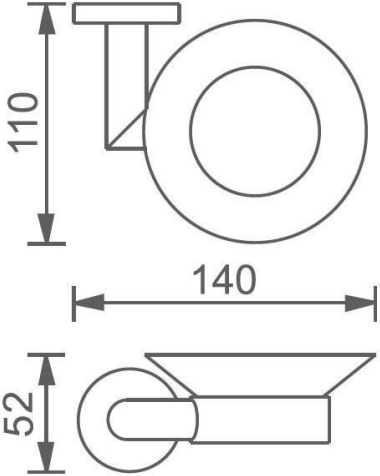


Hue Soap Holder

Product Image	Technical Specification
	

Description
<p>Hue Soap Holder Chrome</p> <p><b>YS1040</b>                      Chrome</p>

Attributes
<ul style="list-style-type: none"> <li>• Round wall plate</li> <li>• Flawless chrome finish</li> <li>• Warranty : 7/1 years</li> <li>•</li> </ul>

\*All dimensions are in millimeters and are subject to normal manufacturing variations. Actual dimensions should be checked prior to installation. Yushi pursues a policy of continuing improvement in design and performance of its products. The right is therefore reserved to vary specifications without notice.