

90cm slide-out stainless steel trimmed rangehood with maximum airflow of 600m³/hr, multi-layer dishwasher safe filters and long lasting LED lighting.



Product Details

FEATURES

Powerful 600m³/hr extraction rate

LED lighting

Dishwasher safe mesh filters

2 speed fan

BENEFITS

Clear the air quickly

Our rangehoods offer powerful extraction rates ensuring your kitchen is clear of cooking odours, vapours and excess heat in no time at all.

Low energy, long lasting LED

With low energy use and a high illumination performance, long-lasting LED lights make it easy to keep an eye on your delicious cooking.

Easy-clean filters

For ease and convenience, our easily removed aluminium micro-mesh filters can simply be washed safely in your dishwasher or hand washed. Keep your rangehood looking great and performing well with next to no effort.

Slimline design suitable for integration

Designed for integration, the front trim can be installed flush with the cabinetry or be removed and replaced with the cabinet material for total integration.

Specifications

PRODUCT PROFILE

Domestic warranty details (yrs)	2
Type of Rangehood	slide out
Nominal width (cm)	900
Finish of Rangehood	stainless steel,grey

DIMENSIONS

Total product height (mm)	273
Total product width (mm)	898
Total product depth (mm)	300

MOTOR/FAN

Number of fans	2
Number of fans speeds	2
Type of motor	centrifugal
Perimeter extraction	No
Maximum airflow M3/Hr	600
Noise level dB high	66
Noise level dB low	51
Number of motors	1
Wattage of motor	240

CONTROLS

Control panel	switch and slide
Safety/ display indicators	automatic safety cut off
Removal front fascia	Yes

DIMENSIONS

Diameter of ducting (mm)	150
--------------------------	-----

Minimum installation height from cooking surface Gas (mm)	650
---	-----

Minimum installation height from cooking surface Electric (mm)	600
--	-----

FILTERS

Number of filters	2
-------------------	---

Type of filter	multilayer aluminum micromesh filters
----------------	---------------------------------------

Dishwasher safe	Yes
-----------------	-----

DUCTING / RECIRCULATION

Ducting	optional accessory
---------	--------------------

Top or rear duct hole	top
-----------------------	-----

Recirculation option	Yes
----------------------	-----

Recirculation kit	optional accessory
-------------------	--------------------

Front recirculating option	No
----------------------------	----

LIGHTS

Number of lights	2
------------------	---

Wattage of light	4
------------------	---

Type of light	LED
---------------	-----

SHIPPING

Shipping Weight (Kg)	19.2
----------------------	------

Product Weight (Kg)	14.5
---------------------	------

Pack Dimensions Height (mm)	356
-----------------------------	-----

Pack Dimension Width (mm)	1020
---------------------------	------

DUCTING / RECIRCULATION

Type of filter	Charcoal
Filter	Optional
Number of optional filters required	two

STUFFING QUANTITIES

20ft	180
40ft	360
40ft HC	432

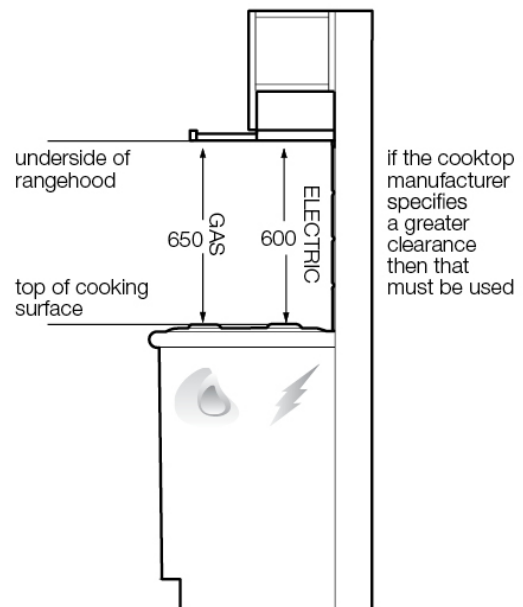
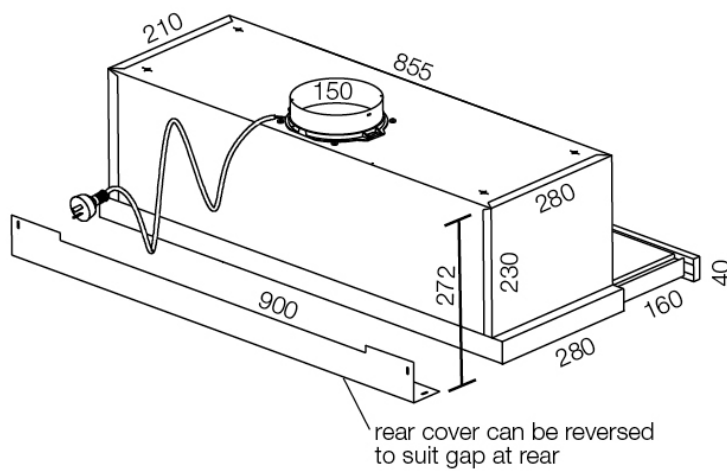
SHIPPING

Pack Dimension Depth (mm)	400
---------------------------	-----

Dimensions

Slide out rangehood

WRR926SB



IMPORTANT

These dimensions are a guide only. All measurements are in millimetres (mm). For complete installation instructions, refer to the manual provided with product.

Terms and Conditions

IMPORTANT

This is a guide of product dimensions only. For complete installation instructions, refer to the manual provided with product.

PRODUCT INFORMATION

The descriptors and illustrations in this publication apply to the specific products and models described as at the date of issue. Under our policy of continuous product development, product specifications may change without notice. Prospective purchasers should therefore check with their retailer to ensure this publication correctly describes the products that are being offered for sale. All information supplied is to be used for general reference purposes only and is on the understanding that Electrolux Home Products Pty Ltd (Australia) and Electrolux (NZ) Ltd (New Zealand) will not be liable for any loss, liability or damage of whatever kind arising as a result of reliance on such information. Colours of products illustrated are as close as printing limitations allow. Electrolux will at all times comply with its obligations pursuant to law including Trade Practices (Australian Consumer Law) Act and Regulations.

WARRANTY

This warranty only applies to Appliances purchased and used in Australia or New Zealand and used in normal domestic applications and is in addition to (and does not exclude, restrict, or modify in any way) any non-excludable statutory warranties in Australia or New Zealand. All warranties are subject to the conditions set out in the warranty card accompanying the product when purchased.

ELECTROLUX HOME PRODUCTS AUSTRALIA

telephone: 1300 363 640

fax: 1800 350 067

email: customercare@electrolux.com.au

web: www.electrolux.com.au

ELECTROLUX HOME PRODUCTS NEW ZEALAND

telephone: 09 573 2230

fax: 09 573 2221

email: customercare@electrolux.co.nz

web: www.electrolux.co.nz