

60cm multi-function 5 dark stainless steel oven with 10 Amp plug, a 2 hour auto-off timer, knob controls and 80L gross capacity. ONLY AVAILABLE COMMERCIALY



Product Details

FEATURES

2 hour auto-off oven timer

Easy guide side racks

80L gross capacity oven

Operates on a standard 10A power supply

Plug and play with 10A socket

Cooler to Touch Doors

Dark Stainless Steel Finish

BENEFITS

2 Hour Timer

Simple to operate, the two hour timer gives you flexibility when cooking and rings when the selected program time lapses.

Place your shelves in with ease

Our easy guide side racks allow you to place your oven shelves in with ease.

Cooler to touch oven doors

Beautifully designed with Australian families in mind, the multi-layer glazing of our oven doors are cooler to the touch when the oven is hot.

Family meals made easy

With room for the family roast or a delicious dessert, our 80L capacity in our 60cm oven range allows you to make every mealtime easy and full of flavour.

Built in Australia

Westinghouse, has been the heart of the home for generations and the kitchen appliance brand we have always known and trusted to build reliable products. This oven is built in a local factory in Adelaide.

Specifications

PRODUCT PROFILE

Domestic warranty details (yrs)	2
---------------------------------	---

Type of Oven	single oven
--------------	-------------

Oven fuel	electric
-----------	----------

Materials/Colour	Dark stainless steel
------------------	----------------------

Controls of Oven	control knob
------------------	--------------

Cooling fan	Yes
-------------	-----

FLUSH FIT CUT OUT

Flush fit cut out height (mm)	600
-------------------------------	-----

Flush fit cut out width (mm)	600
------------------------------	-----

Flush fit cut out depth (mm)	581
------------------------------	-----

MAIN OVEN

DIMENSIONS

PRODUCT DIMENSION

Total height (mm)	597
-------------------	-----

Total width (mm)	596
------------------	-----

Total depth (mm)	573
------------------	-----

PROUD FIT CUT OUT

Proud fit cut out height (mm)	590
-------------------------------	-----

Proud fit cut out width (mm)	565
------------------------------	-----

Proud fit cut out depth (mm)	560
------------------------------	-----

ELECTRICAL CONNECTION

MAIN OVEN

Gross capacity litres	80
-----------------------	----

Useable capacity litres	72
-------------------------	----

Oven function	multifunction
---------------	---------------

Number of functions	5
---------------------	---

Oven Functions	grill,fan grill,defrost,fan forced cooking,light
----------------	--

Oven liner	pyrolux high temperature enamel
------------	---------------------------------

Timer functions	Auto off ,Ringer
-----------------	------------------

Light wattage	25
---------------	----

OTHER FEATURES

Door	removable door,removable inner glass panes,drop down,cool door
------	--

Timer	120 minute auto off timer
-------	---------------------------

Lights	1
--------	---

Light wattage	25
---------------	----

Light position	rear
----------------	------

ELECTRICAL CONNECTION

Connected load KW	2.3
-------------------	-----

Maximum current rating (amps)	9.6
-------------------------------	-----

Type of connection	10A plug & lead
--------------------	-----------------

SHIPPING

Shipping Volume (m3)	0.283
----------------------	-------

Shipping Weight (Kg)	33
----------------------	----

Pack Dimensions Height (mm)	665
-----------------------------	-----

Pack Dimension Width (mm)	635
---------------------------	-----

Pack Dimension Depth (mm)	670
---------------------------	-----

OTHER FEATURES

Shelf support	Easy glide side racks
---------------	-----------------------

Number of shelves	2
-------------------	---

Safety features	cool door
-----------------	-----------

Closed door grilling	Yes
----------------------	-----

Fold down grill element	Yes
-------------------------	-----

Included accessories	grill/oven pan,grill insert,2 x chromed wire shelf,side racks
----------------------	---

Layers of glass in door	2
-------------------------	---

Number of shelf positions	5
---------------------------	---

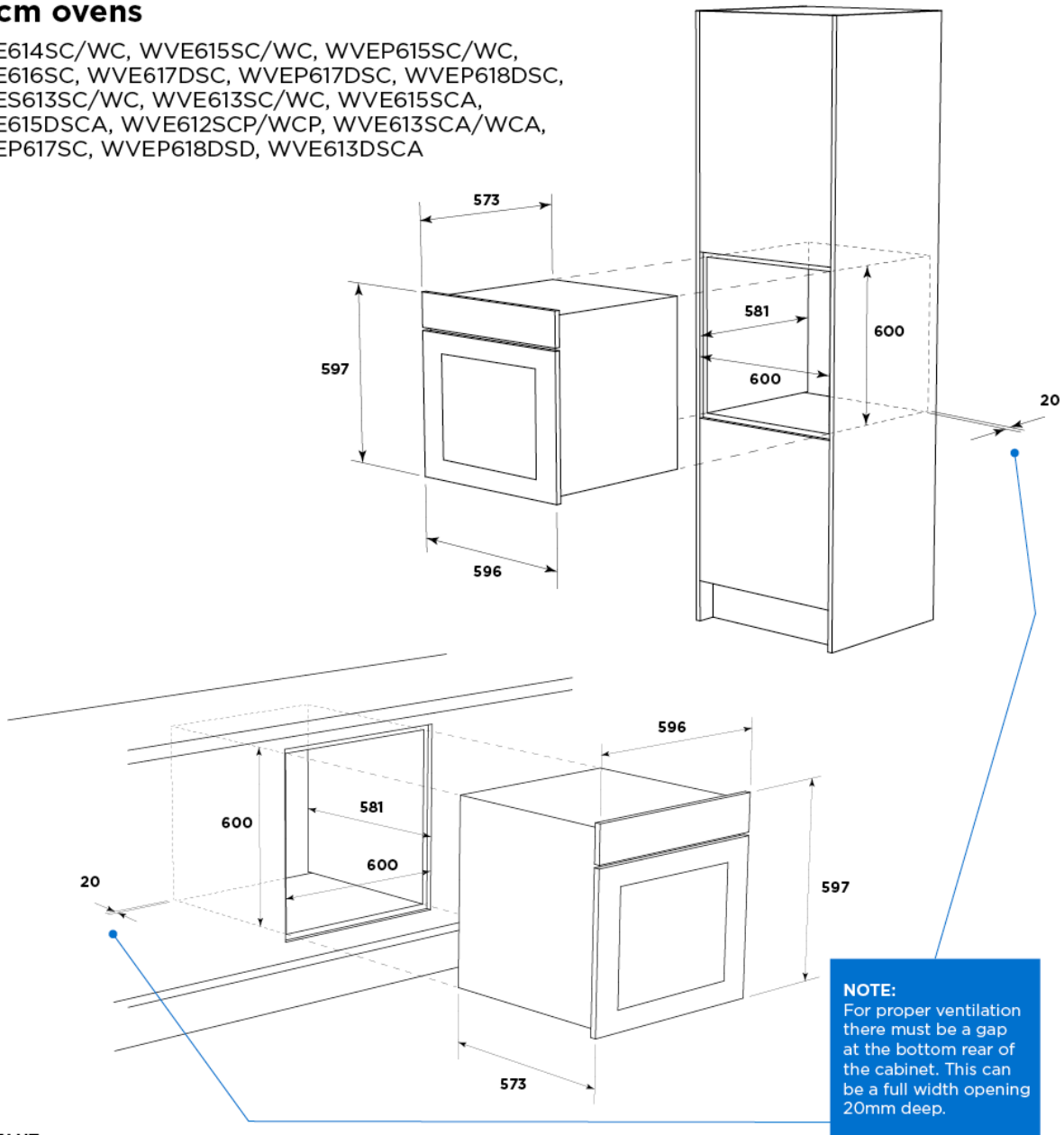
STUFFING QUANTITIES

40ft	153
------	-----

Dimensions

60cm ovens

WVE614SC/WC, WVE615SC/WC, WVEP615SC/WC,
 WVE616SC, WVE617DSC, WVEP617DSC, WVEP618DSC,
 WVES613SC/WC, WVE613SC/WC, WVE615SCA,
 WVE615DSCA, WVE612SCP/WCP, WVE613SCA/WCA,
 WVEP617SC, WVEP618DSD, WVE613DSCA



IMPORTANT

These dimensions are a guide only. All measurements are in millimetres (mm).
 For complete installation instructions, refer to the manual provided with product.

Terms and Conditions

IMPORTANT

This is a guide of product dimensions only. For complete installation instructions, refer to the manual provided with product.

PRODUCT INFORMATION

The descriptors and illustrations in this publication apply to the specific products and models described as at the date of issue. Under our policy of continuous product development, product specifications may change without notice. Prospective purchasers should therefore check with their retailer to ensure this publication correctly describes the products that are being offered for sale. All information supplied is to be used for general reference purposes only and is on the understanding that Electrolux Home Products Pty Ltd (Australia) and Electrolux (NZ) Ltd (New Zealand) will not be liable for any loss, liability or damage of whatever kind arising as a result of reliance on such information. Colours of products illustrated are as close as printing limitations allow. Electrolux will at all times comply with its obligations pursuant to law including Trade Practices (Australian Consumer Law) Act and Regulations.

WARRANTY

This warranty only applies to Appliances purchased and used in Australia or New Zealand and used in normal domestic applications and is in addition to (and does not exclude, restrict, or modify in any way) any non-excludable statutory warranties in Australia or New Zealand. All warranties are subject to the conditions set out in the warranty card accompanying the product when purchased.

ELECTROLUX HOME PRODUCTS AUSTRALIA

telephone: 1300 363 640

fax: 1800 350 067

email: customercare@electrolux.com.au

web: www.electrolux.com.au

ELECTROLUX HOME PRODUCTS NEW ZEALAND

telephone: 09 573 2230

fax: 09 573 2221

email: customercare@electrolux.co.nz

web: www.electrolux.co.nz