

60cm multi-function 5 stainless steel oven with programmable timer, knob controls and 80L gross capacity. ONLY AVAILABLE COMMERCIALY



Product Details

FEATURES

Programmable oven timer

Knob control

80L gross capacity oven

Cooler to Touch Doors

Easy guide side racks

Stainless Steel Finish

BENEFITS

You set, we will do the rest

Our programmable timer gives you the flexibility to set when you would like to cook and how long you would like to cook for.

Cooler to touch oven doors

Beautifully designed with Australian families in mind, the multi-layer glazing of our oven doors are cooler to the touch when the oven is hot.

Family meals made easy

With room for the family roast or a delicious dessert, our 80L capacity in our 60cm oven range allows you to make every mealtime easy and full of flavour.

Built in Australia

Westinghouse, has been the heart of the home for generations and the kitchen appliance brand we have always known and trusted to build reliable products. This oven is built in a local factory in Adelaide.

Specifications

PRODUCT PROFILE

Domestic warranty details (yrs)	2
Type of Oven	single oven
Oven fuel	electric
Materials/Colour	stainless steel
Controls of Oven	3 button touch control LED,control knob
Cooling fan	Yes

FLUSH FIT CUT OUT

Flush fit cut out height (mm)	600
Flush fit cut out width (mm)	600
Flush fit cut out depth (mm)	581

MAIN OVEN

DIMENSIONS

PRODUCT DIMENSION

Total height (mm)	597
Total width (mm)	596
Total depth (mm)	573

PROUD FIT CUT OUT

Proud fit cut out height (mm)	590
Proud fit cut out width (mm)	565
Proud fit cut out depth (mm)	560

ELECTRICAL CONNECTION

MAIN OVEN

Gross capacity litres	80
-----------------------	----

Useable capacity litres	72
-------------------------	----

Oven function	multifunction
---------------	---------------

Number of functions	5
---------------------	---

Oven Functions	fan grill,defrost,grill,fan forced cooking,bake/pizza
----------------	---

Oven liner	pyrolux high temperature enamel
------------	---------------------------------

Timer functions	minute minder,Cook time,End time,Delayed start,Time of day,24 hour clock
-----------------	--

Light wattage	25
---------------	----

OTHER FEATURES

Door	drop down,removable door,removable inner glass panes
------	--

Timer	3 button touch control programmable timer
-------	---

Lights	1
--------	---

Light wattage	25
---------------	----

ELECTRICAL CONNECTION

Connected load KW	3.0
-------------------	-----

Maximum current rating (amps)	12.7
-------------------------------	------

Type of connection	hardwired
--------------------	-----------

SHIPPING

Shipping Weight (Kg)	33.5
----------------------	------

Pack Dimensions Height (mm)	665
-----------------------------	-----

Pack Dimension Width (mm)	635
---------------------------	-----

Pack Dimension Depth (mm)	670
---------------------------	-----

OTHER FEATURES

Light position	rear
----------------	------

Shelf support	Easy glide side racks
---------------	-----------------------

Number of shelves	2
-------------------	---

Safety features	cool door
-----------------	-----------

Closed door grilling	Yes
----------------------	-----

Included accessories	grill/oven pan, 2 x chromed wire shelf, wire grill insert, side racks, baking tray
----------------------	--

Layers of glass in door	2
-------------------------	---

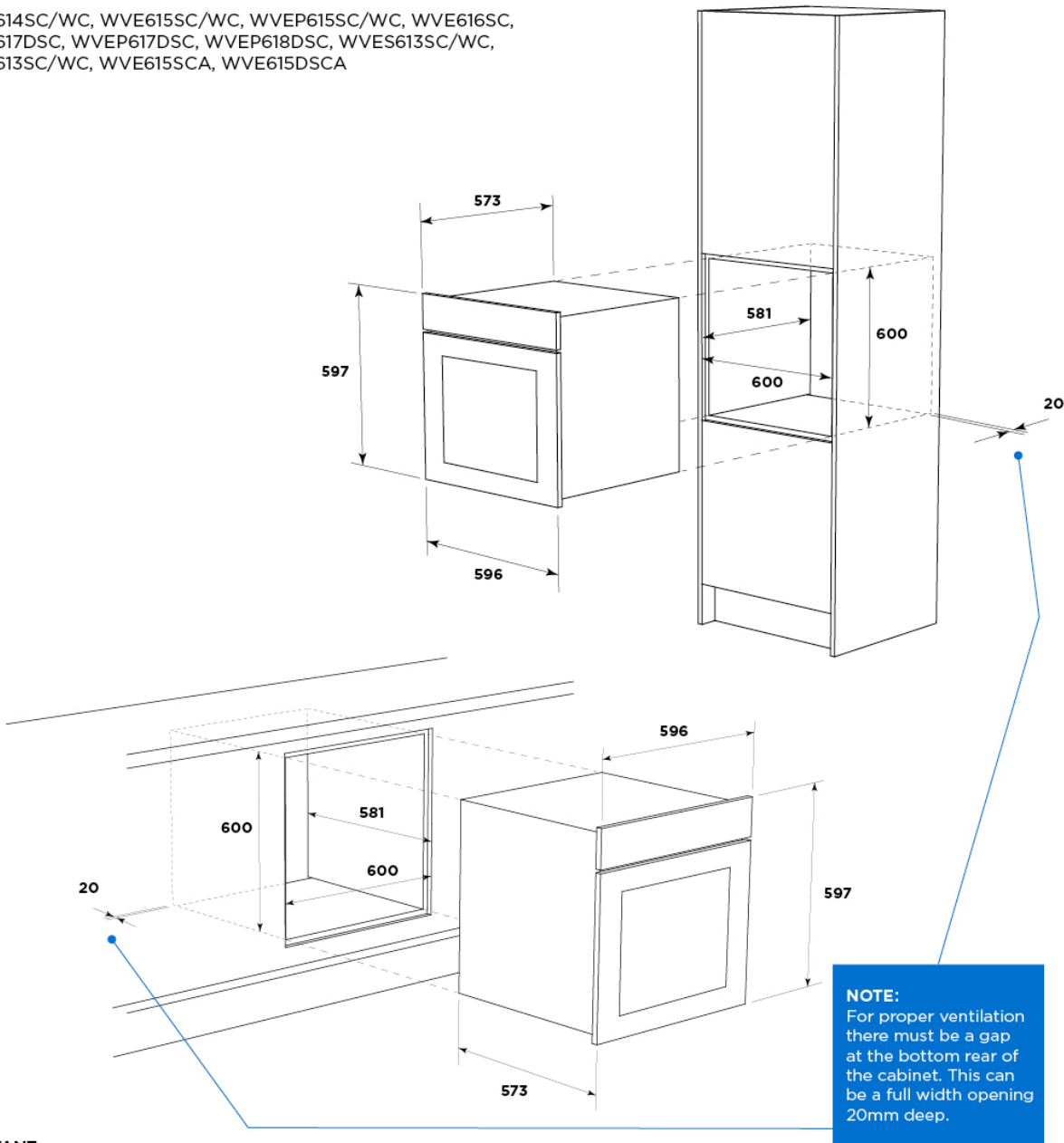
Number of shelf positions	5
---------------------------	---

STUFFING QUANTITIES

40ft	96
------	----

Dimensions

WVE614SC/WC, WVE615SC/WC, WVEP615SC/WC, WVE616SC,
WVE617DSC, WVEP617DSC, WVEP618DSC, WVES613SC/WC,
WVE613SC/WC, WVE615SCA, WVE615DSCA



NOTE:
For proper ventilation there must be a gap at the bottom rear of the cabinet. This can be a full width opening 20mm deep.

IMPORTANT

These dimensions are a guide only. All measurements are in millimetres (mm). For complete installation instructions, refer to the manual provided with product.

Terms and Conditions

IMPORTANT

This is a guide of product dimensions only. For complete installation instructions, refer to the manual provided with product.

PRODUCT INFORMATION

The descriptors and illustrations in this publication apply to the specific products and models described as at the date of issue. Under our policy of continuous product development, product specifications may change without notice. Prospective purchasers should therefore check with their retailer to ensure this publication correctly describes the products that are being offered for sale. All information supplied is to be used for general reference purposes only and is on the understanding that Electrolux Home Products Pty Ltd (Australia) and Electrolux (NZ) Ltd (New Zealand) will not be liable for any loss, liability or damage of whatever kind arising as a result of reliance on such information. Colours of products illustrated are as close as printing limitations allow. Electrolux will at all times comply with its obligations pursuant to law including Trade Practices (Australian Consumer Law) Act and Regulations.

WARRANTY

This warranty only applies to Appliances purchased and used in Australia or New Zealand and used in normal domestic applications and is in addition to (and does not exclude, restrict, or modify in any way) any non-excludable statutory warranties in Australia or New Zealand. All warranties are subject to the conditions set out in the warranty card accompanying the product when purchased.

ELECTROLUX HOME PRODUCTS AUSTRALIA

telephone: 1300 363 640

fax: 1800 350 067

email: customercare@electrolux.com.au

web: www.electrolux.com.au

ELECTROLUX HOME PRODUCTS NEW ZEALAND

telephone: 09 573 2230

fax: 09 573 2221

email: customercare@electrolux.co.nz

web: www.electrolux.co.nz