

60cm multi-function 8/5 white duo oven with rotary controls, 80L gross capacity, touch control timer and triple glazed doors.



## Product Details

### FEATURES

---

Fast Heat Up

Programmable timer

Easy guide side racks

Cooler to Touch Doors

---

80/46L gross capacity

Dual Cavity for a bigger capacity  
Dual Cavity offers energy efficient cooking with more space.

Multifunction Oven  
Multifunction cooking easily caters to any meal or occasion.

---

### BENEFITS

---

Dinner's done sooner with our fast heat up oven  
Why wait longer? Our fast oven heat up means you can get on with the job of getting dinner on the table sooner.

Programmable timer  
The programmable timer gives the ability to plan your start and finish cooking time to the minute.

---

Designed to use maximum capacity  
Our step down shelves are designed to ensure you can use every centimetre of available height and space in your oven.

Cooler to touch oven doors  
Beautifully designed with Australian families in mind, the multi-layer glazing of our oven doors are cooler to the touch when the oven is hot.

---

Built in Australia  
Westinghouse, has been the heart of the home for generations and the kitchen appliance brand we have always known and trusted to build reliable products. This oven is built in a local factory in Adelaide.

---

## Specifications

### PRODUCT PROFILE

---

Domestic warranty details (yrs)	2
Type of Oven	duo oven
Oven fuel	electric
Materials/Colour	white
Controls of Oven	control knob
Cooling fan	Yes

### FLUSH FIT CUT OUT

---

Flush fit cut out height (mm)	893
Flush fit cut out width (mm)	600
Flush fit cut out depth (mm)	581

### MAIN OVEN

### DIMENSIONS

---

#### PRODUCT DIMENSION

---

Total height (mm)	890
Total width (mm)	596
Total depth (mm)	573

### PROUD FIT CUT OUT

---

Proud fit cut out height (mm)	885
Proud fit cut out width (mm)	565
Proud fit cut out depth (mm)	560

### SECOND OVEN OR GRILL

## MAIN OVEN

Gross capacity litres	80
Useable capacity litres	72
Oven function	multifunction
Number of functions	8
Oven Functions	rapid heat,defrost,base heat,bake/pizza,grill,fan grill,maxi grill,fan forced cooking
Timer functions	minute minder,Cook time,End time,Delayed start,Time of day,24 hour clock

## ELECTRICAL CONNECTION

Connected load KW	5.3
Maximum current rating (amps)	22.1
Type of connection	hardwired

## SECOND OVEN OR GRILL

Gross capacity litres	46
Useable capacity litres	38
Oven functions	multifunction
Number of functions	5
Oven Functions	grill,fan assist bake,traditional bake,fan grill,defrost
Fold down grill element	No
Closed door grilling	Yes

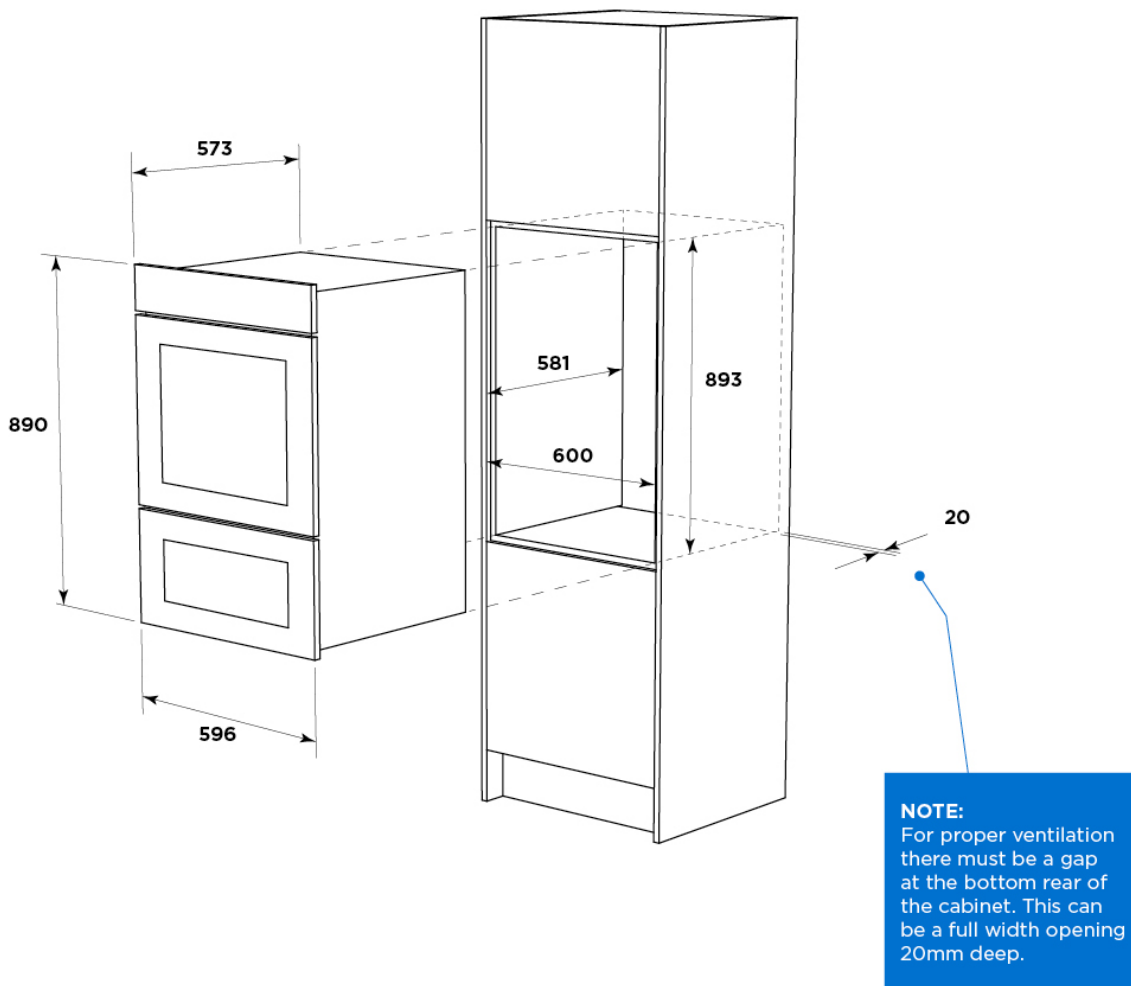
## OTHER FEATURES

Cleaning	easy clean door
Door	drop down,removable door,removable inner glass panes,cool door
Timer	3 button touch control programmable timer
Lights	4
Light wattage	25
Light position	side and rear

## OTHER FEATURES

Shelf support	Easy glide side racks
Number of shelves	3
Safety features	cool door
Closed door grilling	Yes
Fold down grill element	Yes
Included accessories	baking tray, side racks, 3 x chromed wired shelves, grill insert
Layers of glass in door	3
Number of shelf positions	8

## Dimensions



**IMPORTANT**

These dimensions are a guide only. All measurements are in millimetres (mm). For complete installation instructions, refer to the manual provided with product.

# Terms and Conditions

## IMPORTANT

This is a guide of product dimensions only. For complete installation instructions, refer to the manual provided with product.

## PRODUCT INFORMATION

The descriptors and illustrations in this publication apply to the specific products and models described as at the date of issue. Under our policy of continuous product development, product specifications may change without notice. Prospective purchasers should therefore check with their retailer to ensure this publication correctly describes the products that are being offered for sale. All information supplied is to be used for general reference purposes only and is on the understanding that Electrolux Home Products Pty Ltd (Australia) and Electrolux (NZ) Ltd (New Zealand) will not be liable for any loss, liability or damage of whatever kind arising as a result of reliance on such information. Colours of products illustrated are as close as printing limitations allow. Electrolux will at all times comply with its obligations pursuant to law including Trade Practices (Australian Consumer Law) Act and Regulations.

## WARRANTY

This warranty only applies to Appliances purchased and used in Australia or New Zealand and used in normal domestic applications and is in addition to (and does not exclude, restrict, or modify in any way) any non-excludable statutory warranties in Australia or New Zealand. All warranties are subject to the conditions set out in the warranty card accompanying the product when purchased.

### ELECTROLUX HOME PRODUCTS AUSTRALIA

telephone: 1300 363 640

fax: 1800 350 067

email: [customercare@electrolux.com.au](mailto:customercare@electrolux.com.au)

web: [www.electrolux.com.au](http://www.electrolux.com.au)

### ELECTROLUX HOME PRODUCTS NEW ZEALAND

telephone: 09 573 2230

fax: 09 573 2221

email: [customercare@electrolux.co.nz](mailto:customercare@electrolux.co.nz)

web: [www.electrolux.co.nz](http://www.electrolux.co.nz)