

90cm dark stainless steel pyrolytic dual fuel freestanding cooker with a 5 burner gas cooktop, electric multi-function 10 Twin Fan oven with EasyBake +Steam, AirFry, Steam Assist Clean, high powered, intense 19 mj/h wok burner with dual valve control, 1 set telescopic runners, programmable timer and 125L gross capacity.



Product Details

FEATURES

EasyBake +Steam	AirFry	PyroClean	SteamAssist Clean
High powered, intense 19 MJ/h wok burner	Dual Valve Control	Twin Fan System	Telescopic runners
Digital Programmable timer	Fast Heat Up	Cast iron trivets	Dark Stainless Steel Finish
Large 125L gross oven capacity	Triple glazed oven door glass	Clip-on plinth included	Handy storage compartment Extra storage always comes in handy, so with a clever storage compartment you can easily stow away any extra pots and pans.

BENEFITS

Tastier baking starts with steam
Take your baking to the next level with our EasyBake +Steam function. Steam helps you get a better rise, crispier crust, a fluffier centre and tastier textures for all your bread, pastries, cakes, and puddings.

AirFry for that perfect, crunch
When a food craving hits, make healthier and delicious food right in your oven with minimal oil. Deliver all the flavour and none of the guilt. AirFry allows you to make healthier, tasty meals for the entire family right in your oven.

Ovens that clean up after themselves
Even cleaning up is easier with Westinghouse. Choose a PyroClean oven and with the press of a button you can keep your oven shiny and clean. The oven turns on to an extremely high temperature, turning grease and grime into ash. All you need to do is simply wipe the residue away. No nasty chemicals, no greasy mess just a sparkling clean oven with minimal effort.

Cleaning is a breeze with steam
A 30 minute light oven clean. Just add water, vinegar and detergent, turn on the steam cycle and wait until the grime is softened and loosened. Grab a cloth and wipe. Your oven is clean again. Easy

Twin fan system for even cooking

Cook each dish to perfection with the Twin Fan System. Fans rotate in opposite directions, distributing heat evenly throughout the oven, so you enjoy great results every time.

A hotter wok helps bring out the flavour

Use high heat to lock in the flavor of your dishes. With durable brass caps and 19 MJ/h you can bring your wok to high heat with even flame distribution. Spice up your cooking and spice up your life.

Boil to simmer in an instant

For precision control cooking all your favourite recipes, our smart Dual Valve flame control lets you go from boil to simmer in an instant.

Designed for ease and safety

Telescopic runners are another piece of thoughtful design that makes it easy to draw racks out and safely check on your dishes during cooking.

Built in Australia

Westinghouse, has been the heart of the home for generations and the kitchen appliance brand we have always known and trusted to build reliable products. This oven is built in a local factory in Adelaide.

Specifications

PRODUCT PROFILE

Domestic warranty details (yrs)	2
Oven fuel	electric
Materials/Colour	Dark stainless steel
Controls of Oven	control knob
Cooling fan	Yes
Plinth colour (kickboard)	Dark stainless steel
Anti tilt plate	Yes
Front/rear controls	front

MAIN OVEN

Gross capacity litres	125
Useable capacity litres	116
Oven function	multifunction
Number of functions	10

DIMENSIONS

PRODUCT DIMENSION

Total height (mm)	910
Total width (mm)	895
Total depth (mm)	600

ELECTRICAL CONNECTION

Connected load KW	4.5
Maximum current rating (amps)	18.7
Type of connection	hardwired

MAIN OVEN

Cleaning	pyrolytic
Oven liner	pyrolux high temperature enamel
Timer functions	duration,end,minute minder,oven start,Countdown,24 hour clock
Lights	2
Light wattage	25
Light position	top
Light activation by door	Yes
Layers of glass in door	4
Telescopic runners	one
Shelf support	Easy glide side racks
Number of shelves	2
Number of shelf positions	5
Closed door grilling	Yes

SHIPPING

STUFFING QUANTITIES

SHIPPING

Shipping Weight (Kg)	93
----------------------	----

Pack Dimensions Height (mm)	900
-----------------------------	-----

Pack Dimension Width (mm)	1000
---------------------------	------

Pack Dimension Depth (mm)	750
---------------------------	-----

COOKTOP (IF APPLICABLE)

PRODUCT PROFILE

Cook top type	gas
---------------	-----

Materials/Colour	stainless steel
------------------	-----------------

Knob finish	Metalised dark finish
-------------	-----------------------

LEFT REAR ZONE

Left rear zone	semi-rapid
----------------	------------

CONTROLS

STUFFING QUANTITIES

20ft	32
------	----

40ft	64
------	----

40ft HC	90
---------	----

ELEMENTS/BURNERS

Cooking zones	5
---------------	---

FEATURES

Trivets	cast iron
---------	-----------

Ignition type	electronic
---------------	------------

GAS SPECIFICATIONS

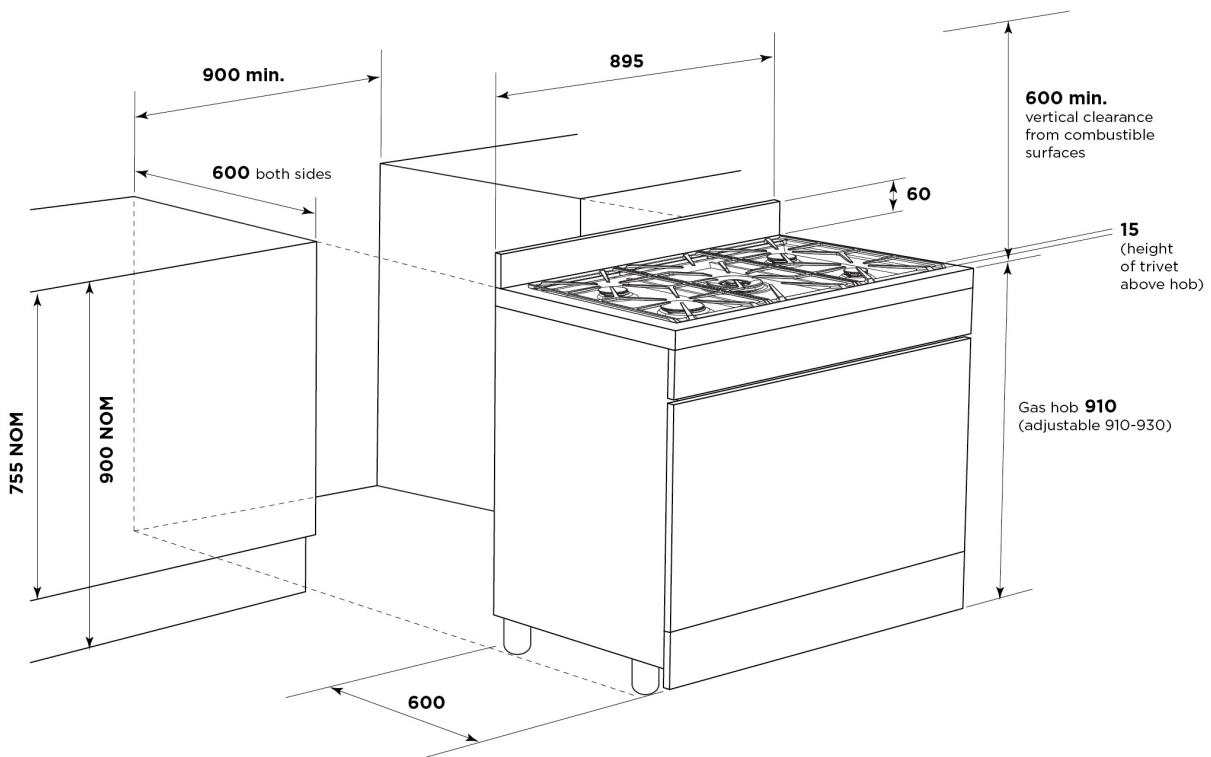
Position of controls front

Maximum gas rating (NG) 54

Position of connection rear right

Dimensions

WFE915SD,
WFE916DSD,
WFEP917DSD



IMPORTANT

These dimensions are a guide only. All measurements are in millimetres (mm).
For complete installation instructions, refer to the manual provided with product.

Terms and Conditions

IMPORTANT

This is a guide of product dimensions only. For complete installation instructions, refer to the manual provided with product.

PRODUCT INFORMATION

The descriptors and illustrations in this publication apply to the specific products and models described as at the date of issue. Under our policy of continuous product development, product specifications may change without notice. Prospective purchasers should therefore check with their retailer to ensure this publication correctly describes the products that are being offered for sale. All information supplied is to be used for general reference purposes only and is on the understanding that Electrolux Home Products Pty Ltd (Australia) and Electrolux (NZ) Ltd (New Zealand) will not be liable for any loss, liability or damage of whatever kind arising as a result of reliance on such information. Colours of products illustrated are as close as printing limitations allow. Electrolux will at all times comply with its obligations pursuant to law including Trade Practices (Australian Consumer Law) Act and Regulations.

WARRANTY

This warranty only applies to Appliances purchased and used in Australia or New Zealand and used in normal domestic applications and is in addition to (and does not exclude, restrict, or modify in any way) any non-excludable statutory warranties in Australia or New Zealand. All warranties are subject to the conditions set out in the warranty card accompanying the product when purchased.

ELECTROLUX HOME PRODUCTS AUSTRALIA

telephone: 1300 363 640

fax: 1800 350 067

email: customercare@electrolux.com.au

web: www.electrolux.com.au

ELECTROLUX HOME PRODUCTS NEW ZEALAND

telephone: 09 573 2230

fax: 09 573 2221

email: customercare@electrolux.co.nz

web: www.electrolux.co.nz