

This white freestanding dishwasher is equipped with a rotary dial and 5 wash programs, including 30 minutes quick wash and water saving ECO wash. Enjoy the added benefits of a half load wash and stable support for tall glasses.



Product Details

FEATURES

13 place settings

Wash programs - 5

Fast wash programs

Time Save program

Half load option

Adjustable upper basket

Bottom basket with fold down racks

Durable stainless steel tub

Wash progress indicator

Water safety system

BENEFITS

Simple to use controls

The well-designed rotary dial saves time and reduces confusion. Simply rotate it to select your desired program.

Five wash programs

There's a program to suit your requirements, giving you more flexibility to choose what, when and how you wash. It includes the Fast 30 program, supporting your busy lifestyle.

Fast 30 program

Sometimes a quick wash is all you need for a smaller load. Use the Fast 30 minute program for lightly soiled dishes at breakfast, lunch or dinner and then just get on with your day.

Saves water

With today's climate challenges, we need to do what we can to save water. That's why we offer 4.5 star WELS water rated dishwashers that only use 11.8 litres of water, just a fraction of the water you will use when hand washing dishes.

Height adjustable upper basket

For added convenience, the height adjustable upper basket can be easily lifted or lowered when empty. With the flexibility to adjust the upper basket as you need, you will always find a place for everything.

Specifications

PRODUCT PROFILE

Domestic warranty details (yrs)	2
---------------------------------	---

Type of Dishwashers	freestanding
---------------------	--------------

Place settings	13
----------------	----

Drying system	residual drying
---------------	-----------------

Number of spray arms	2
----------------------	---

Top shower	No
------------	----

DIMENSIONS

Total height (mm)	850
-------------------	-----

Total width (mm)	598
------------------	-----

SPECIFICATION

Water Efficiency Star Rating	4.5
------------------------------	-----

WELS Registration Number	D02347
--------------------------	--------

Water consumption (litres)	11.8
----------------------------	------

Energy Efficiency Star Rating	3
-------------------------------	---

Energy consumption cold water (kWhr/yr)	295
---	-----

Noise level dBA	49
-----------------	----

Water supply	cold or hot (maximum 60°C)
--------------	----------------------------

Basket colour	grey
---------------	------

Service cord length	1.8
---------------------	-----

WASH PROGRAMS

Number of Programs	5
--------------------	---

DIMENSIONS

Total depth (mm)	598
Product height excluding removable worktop (mm)	820
Height adjustment (mm)	20

CONTROL PANEL

Control panel type	rotary electronic, Push button electronic
Top mounted control panel	No
Control panel finish	white
Knob or button finish	white
Display indicators	rinse aid, end , wash program, on/off

EXTERIOR

Door finish	white
Counter-balance door	Yes
Side colour	white

WASH PROGRAMS

Programs	fast 30min, heavy, Eco 50°C, Time Save 50 minutes, Delicate
Wash option	Half Load

FEATURES

Other Features	delay start
Water safety system	overflow protection, bottom catchment tray
Filter system	3 stage
Dispenser	detergent, rinse aid
Number of spray levels	2

UPPER BASKET

Upper basket features	adjustable top basket
Foldable cup shelves	4

EXTERIOR

Plinth colour (kickboard)	white
---------------------------	-------

Removable worktop	Yes
-------------------	-----

Worktop colour	white
----------------	-------

LOWER BASKET

Lower Basket Features	cutlery basket
-----------------------	----------------

Foldable Racks	2
----------------	---

SHIPPING

Shipping Volume (m3)	0.38
----------------------	------

Shipping Weight (Kg)	49
----------------------	----

Shipping Weight (Kg)	49
----------------------	----

Pack Dimensions Height (mm)	881
-----------------------------	-----

Pack Dimension Width (mm)	644
---------------------------	-----

Pack Dimension Depth (mm)	661
---------------------------	-----

HOSES

Inlet hose length (metres)	1.5
----------------------------	-----

Drain hose length (metres)	1.5
----------------------------	-----

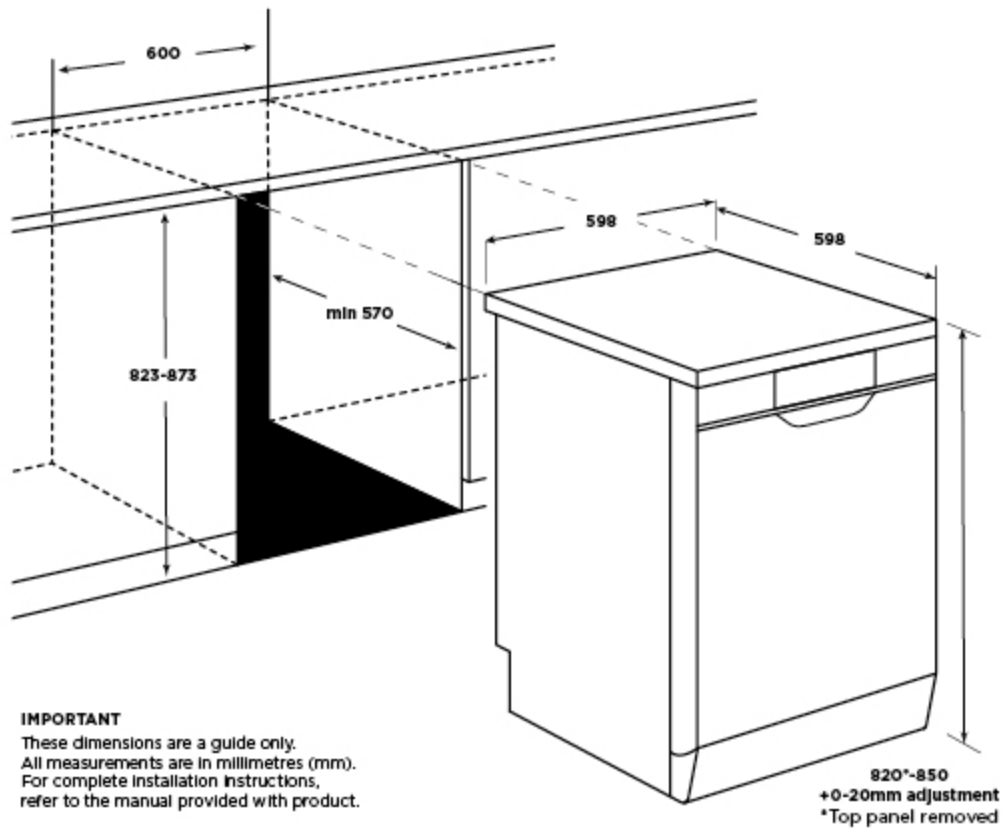
STUFFING QUANTITIES

20ft	48
------	----

40ft	102
------	-----

40ft HC	150
---------	-----

Dimensions



Terms and Conditions

IMPORTANT

This is a guide of product dimensions only. For complete installation instructions, refer to the manual provided with product.

PRODUCT INFORMATION

The descriptors and illustrations in this publication apply to the specific products and models described as at the date of issue. Under our policy of continuous product development, product specifications may change without notice. Prospective purchasers should therefore check with their retailer to ensure this publication correctly describes the products that are being offered for sale. All information supplied is to be used for general reference purposes only and is on the understanding that Electrolux Home Products Pty Ltd (Australia) and Electrolux (NZ) Ltd (New Zealand) will not be liable for any loss, liability or damage of whatever kind arising as a result of reliance on such information. Colours of products illustrated are as close as printing limitations allow. Electrolux will at all times comply with its obligations pursuant to law including Trade Practices (Australian Consumer Law) Act and Regulations.

WARRANTY

This warranty only applies to Appliances purchased and used in Australia or New Zealand and used in normal domestic applications and is in addition to (and does not exclude, restrict, or modify in any way) any non-excludable statutory warranties in Australia or New Zealand. All warranties are subject to the conditions set out in the warranty card accompanying the product when purchased.

ELECTROLUX HOME PRODUCTS AUSTRALIA

telephone: 1300 363 640

fax: 1800 350 067

email: customercare@electrolux.com.au

web: www.electrolux.com.au

ELECTROLUX HOME PRODUCTS NEW ZEALAND

telephone: 09 573 2230

fax: 09 573 2221

email: customercare@electrolux.co.nz

web: www.electrolux.co.nz