

6.5kg vented clothes dryer comes with anti-tangle reverse tumble action for a more even drying result. Other feature includes durable stainless steel drum, Sensor drying, large door opening and wall mount option.



Product Details

FEATURES

Sensor dry

This new sensing technology monitors the moisture content of clothes throughout the drying cycle, when the clothes are deemed to be dry the machine automatically turns off, saving time and unnecessary use of energy.

Easy to use rotary dial control

Time drying

Front lint filter

Front or rear venting

Wall mounting kit included

Durable stainless steel drum

Auto cool down

The auto cool down forms a part of the final drying cycle. This reduces creasing of clothes and provides a safety feature.

BENEFITS

Sensor Dry

Senses the residual moisture in the clothes and automatically stops when the desired dryness is achieved. This protects your clothes by ensuring they aren't over dried and saves energy by using the exact amount of energy required for any load size

Reverse Tumbling Action

Tumble action alternates clockwise to anti-clockwise, reducing clothes tangling and bunching together, so they dry more evenly.

Auto cool down

The auto cool down forms a part of the final drying cycle. This reduces creasing of clothes and provides a safety feature.

Specifications

PRODUCT PROFILE

Domestic warranty details (yrs)	2
---------------------------------	---

Dryer Type	exhaust venting front/rear
------------	----------------------------

Capacity (Kg)	6.5
---------------	-----

Wall mount option	yes
-------------------	-----

ENERGY

Energy Star Rating New	2
------------------------	---

Energy Efficiency Star Rating	2
-------------------------------	---

Energy Consumption (KWhr/yr)	292
------------------------------	-----

BUTTON FUNCTIONS

Reminder/ Indicators	buzzer
----------------------	--------

DIMENSIONS

Total height (mm)	795
-------------------	-----

Total width (mm)	600
------------------	-----

Total depth (mm)	600
------------------	-----

CONTROLS

Type of controls	electronic rotary
------------------	-------------------

Options available	auto sensing,timer drying,Dryness Level
-------------------	---

Type of display	none
-----------------	------

DRYING PROGRAMS

Drying Programs	timed programs,Cotton,Delicate,Eco Cotton,Airing,Mixed,Time Dry 30-150 Min
-----------------	--

Degree of dryness	extra,cupboard,iron dry
-------------------	-------------------------

BUTTON FUNCTIONS

Functions	power/on/off,auto cool down,Time Dry,reverse tumbling drum action,Start/Pause,auto sensing,airing
-----------	---

DRUM

Spin tub material	stainless steel
-------------------	-----------------

CABINET

Cabinet Colour	white
----------------	-------

Cabinet material	painted galvanized steel
------------------	--------------------------

SHIPPING

Shipping Volume (m3)	0.33
----------------------	------

Shipping Weight (Kg)	28.5
----------------------	------

DRYING PROGRAMS

Venting	optional rear venting,directional front vent grille
---------	---

DOOR

Type	See through door
------	------------------

Dryer Door colour	grey
-------------------	------

TECHNICAL

Service cord length	1.8
---------------------	-----

Dryer Lint filter position	front
----------------------------	-------

Dryer Element watts	2100
---------------------	------

Dryer Safety thermostat heater	Yes
--------------------------------	-----

STUFFING QUANTITIES

40ft HC	162
---------	-----

SHIPPING

Pack Dimensions Height (mm)	845
--------------------------------	-----

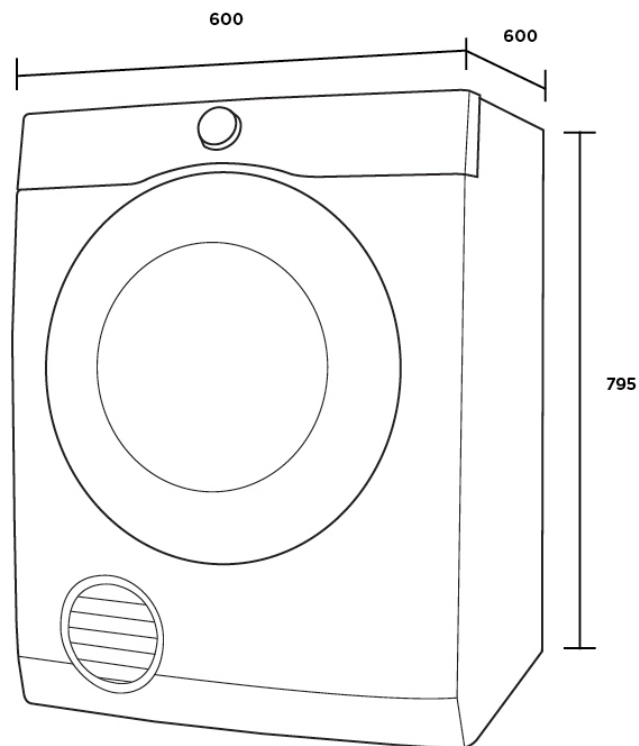
Pack Dimension Width (mm)	625
------------------------------	-----

Pack Dimension Depth (mm)	635
------------------------------	-----

Dimensions

Vented Dryer

WDV656N3WB



IMPORTANT

These dimensions are a guide only. All measurements are in millimetres (mm).
For complete installation instructions, refer to the manual provided with product.

Terms and Conditions

IMPORTANT

This is a guide of product dimensions only. For complete installation instructions, refer to the manual provided with product.

PRODUCT INFORMATION

The descriptors and illustrations in this publication apply to the specific products and models described as at the date of issue. Under our policy of continuous product development, product specifications may change without notice. Prospective purchasers should therefore check with their retailer to ensure this publication correctly describes the products that are being offered for sale. All information supplied is to be used for general reference purposes only and is on the understanding that Electrolux Home Products Pty Ltd (Australia) and Electrolux (NZ) Ltd (New Zealand) will not be liable for any loss, liability or damage of whatever kind arising as a result of reliance on such information. Colours of products illustrated are as close as printing limitations allow. Electrolux will at all times comply with its obligations pursuant to law including Trade Practices (Australian Consumer Law) Act and Regulations.

WARRANTY

This warranty only applies to Appliances purchased and used in Australia or New Zealand and used in normal domestic applications and is in addition to (and does not exclude, restrict, or modify in any way) any non-excludable statutory warranties in Australia or New Zealand. All warranties are subject to the conditions set out in the warranty card accompanying the product when purchased.

ELECTROLUX HOME PRODUCTS AUSTRALIA

telephone: 1300 363 640

fax: 1800 350 067

email: customercare@electrolux.com.au

web: www.electrolux.com.au

ELECTROLUX HOME PRODUCTS NEW ZEALAND

telephone: 09 573 2230

fax: 09 573 2221

email: customercare@electrolux.co.nz

web: www.electrolux.co.nz