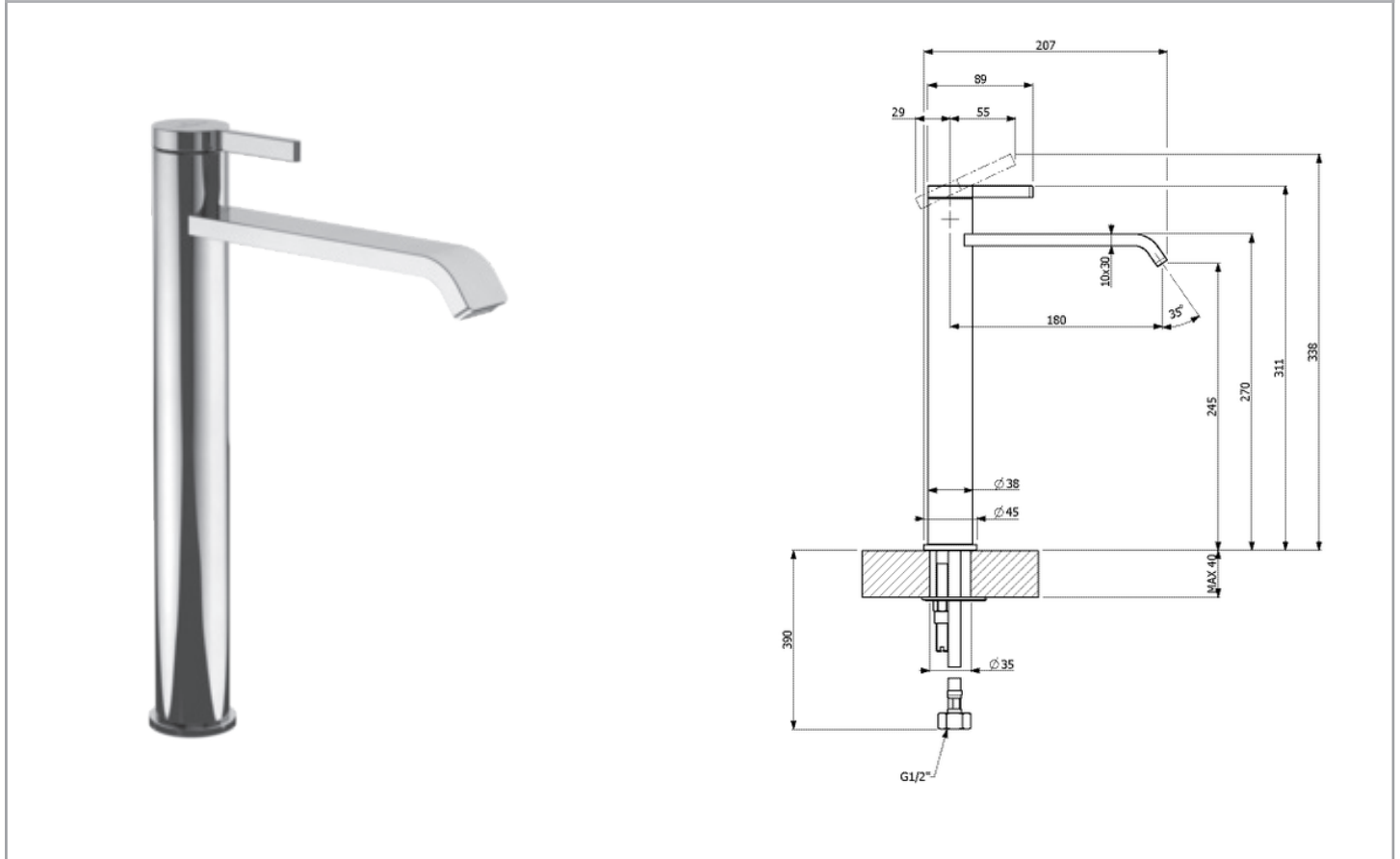




DAWN VESSEL BASIN MIXER

Product Image	Technical Specification
---------------	-------------------------



Description
<p>Dawn Vessel Basin Mixer WELS 6 Star / 4.5 Lpm</p> <p>TVW10610650261 Chrome</p>

Additional Information
<ul style="list-style-type: none"> 35mm Ceramic Cartridge <div style="text-align: center; margin-top: 10px;"> <p>WATER RATING www.waterrating.gov.au</p> <p>4.5 litres per minute</p> <p><small>In accordance with AS/NZS 6400 Licence No. 0008 Argent Australia</small></p> </div>

