
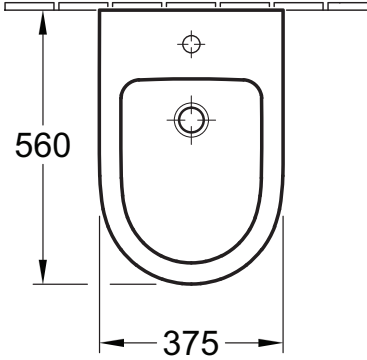
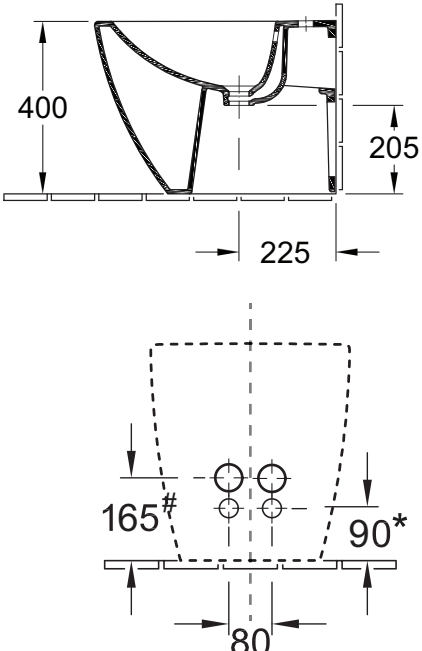


## SUBWAY 2.0 FLOOR MOUNTED BIDET

Product Image	Technical Specification	
		
<p><b>Installation Notes:</b>                  *Hot/Cold Water Entry Points need to be 40mm left &amp; right of centre &amp; 90mm from finished floor                  #Waste Outlet point needs to be 40mm left OR right of centre &amp; 165mm from finished floor                  Suitable for P-Trap Installation ONLY</p>		

Description
<p>Subway 2.0 Floor Mounted Bidet</p> <p><b>54010001CB</b> 1 Taphole  <b>540100R1CB</b> 1 Taphole with CeramicPlus</p>

Additional Information
<p>- 5 Year Warranty *Conditions Apply</p>