



Evana 500 Under Counter Basin

No Tap Hole

Product Image **Product Details**



Code: 614701
Brand: Villeroy & Boch
Range: Evana
Warranty: 10 Years#
Product Width: 500 mm
Product Depth: 350 mm
WELS: N/A

Additional Features **Technical Specification**

Required Product

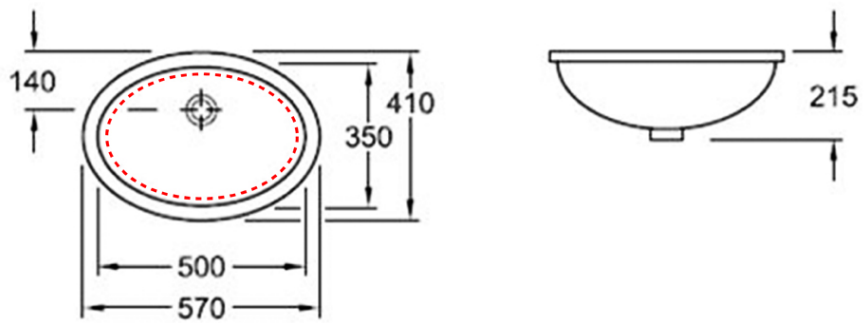
Recommended Products
 K316-D PUW series

Additional Notes

- Water capacity to bottom of overflow - 4.4lt
- Basin cutout in stone should be 8-10mm smaller all round than the basin ID

Installation Instructions

- * Position logo visible at the back of the basin
- * No cut out should be attempted in the benchtop without having the basins



*Please visit argentaust.com.au/warranty to view the full warranty

Note: All dimensions are in millimetres and are subject to normal manufacturing variations. Always use the physical product measurements for cut-outs and rough-ins as the technical details shown may differ from the actual product. Use acetic cured silicone sealant. Do not use epoxy type adhesives. Clean with damp cloth. Do not use abrasive cleaners, liquids or pastes.

