



Compact II Flush Valve Body High Pressure

Product Image



Product Details

SKU:

Brand:

Range:

Warranty:

WELS:

011360099

Schell

Compact

2 Years

4 Star 4.5 LPM, Reg #: L05445

Additional Features

Required Product

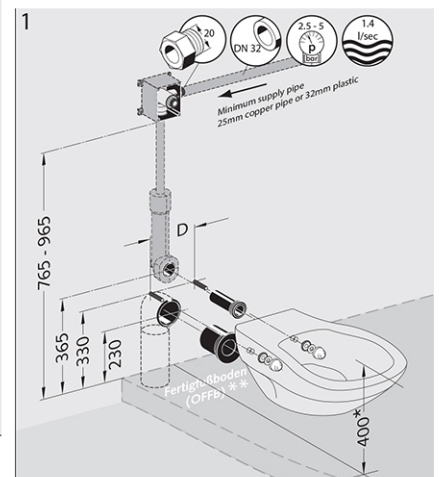
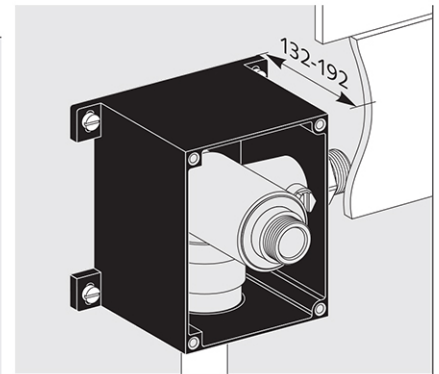
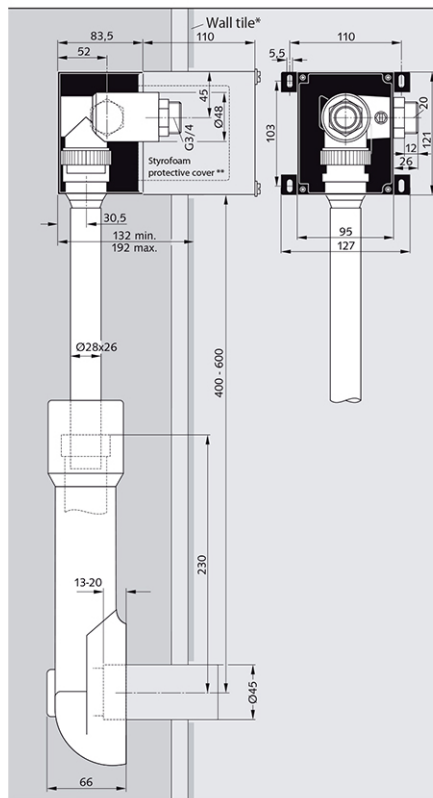
HP Push Plate OR Edition E Sensor Plate

Recommended Products

Additional Notes

- * 028160699
- * 028162899
- * 028161599
- * 028250699
- * 028260099
- * 028270099
- * 010272899
- * 010282899

Technical Specification



Note: All dimensions are in millimetres and are subject to normal manufacturing variations. Always use the physical product measurements for cut-outs and rough-ins as the technical details shown may differ from the actual product. Use acetic cured silicone sealant. Do not use epoxy type adhesives. Clean with damp cloth. Do not use abrasive cleaners, liquids or pastes.