



# Modus II E Basin Tap Single Temperature

Mains

## Product Image

## Product Details



<b>Code:</b>	<b>021780699</b>
<b>Brand:</b>	Schell
<b>Range:</b>	Modus II
<b>Warranty:</b>	2 Years*
<b>WELS:</b>	6 Star 3 LPM, Reg #: T38468

## Additional Features

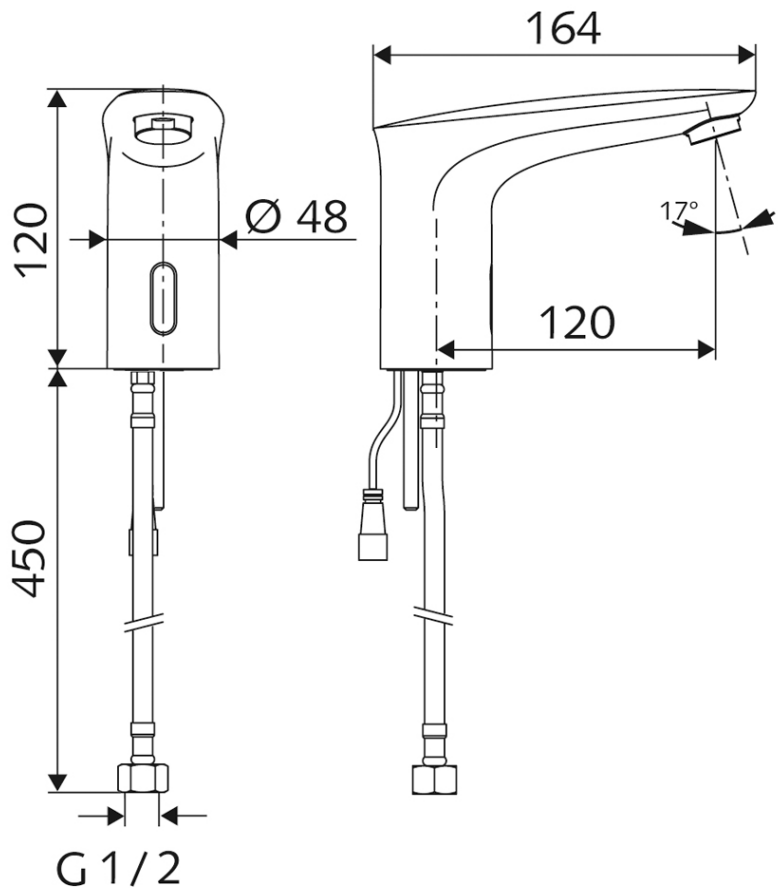
## Technical Specification

### Required Product

### Recommended Products

### Additional Notes

- Includes Transformer
- Touchless Operation
- Adjustable Detection Range (2 to 17cm)
- 24hr Stagnation Flush Option
- Temperature Adjustable (Hot/Cold)



\*Please visit [argentaust.com.au/warranty](http://argentaust.com.au/warranty) to view the full warranty

Note: All dimensions are in millimetres and are subject to normal manufacturing variations. Always use the physical product measurements for cut-outs and rough-ins as the technical details shown may differ from the actual product. Use acetic cured silicone sealant. Do not use epoxy type adhesives. Clean with damp cloth. Do not use abrasive cleaners, liquids or pastes.

