



Modus II E Basin Mixer Hot/Cold

Mains

Product Image



Product Details

Code:	021790699
Brand:	Schell
Range:	Modus II
Warranty:	2 Years*
WELS:	6 Star 3 LPM, Reg #: T38470

Additional Features

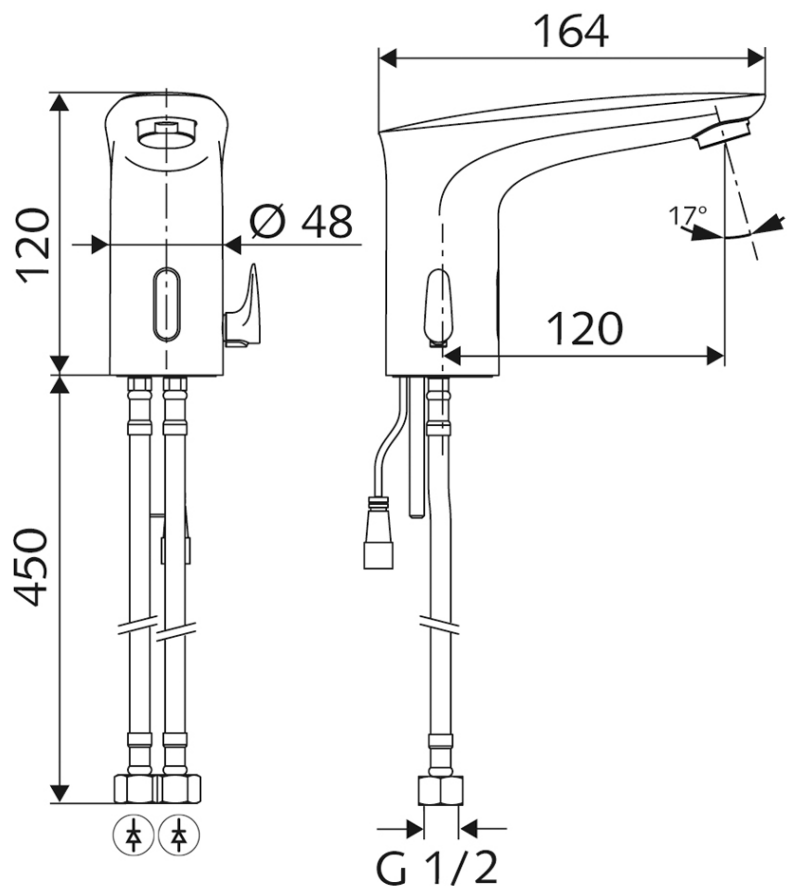
Technical Specification

Required Product

Recommended Products

Additional Notes

- Includes Transformer
- Touchless Operation
- Adjustable Detection Range (2 to 17cm)
- 24hr Stagnation Flush Option
- Temperature Adjustable (Hot/Cold)



*Please visit argentaust.com.au/warranty to view the full warranty

Note: All dimensions are in millimetres and are subject to normal manufacturing variations. Always use the physical product measurements for cut-outs and rough-ins as the technical details shown may differ from the actual product. Use acetic cured silicone sealant. Do not use epoxy type adhesives. Clean with damp cloth. Do not use abrasive cleaners, liquids or pastes.