



Modus II E Basin Mixer Hot/Cold

Battery

Product Image



Product Details

Code:	021770699
Brand:	Schell
Range:	Modus II
Warranty:	2 Years*
WELS:	6 Star 3 LPM, Reg #: T38471

Additional Features

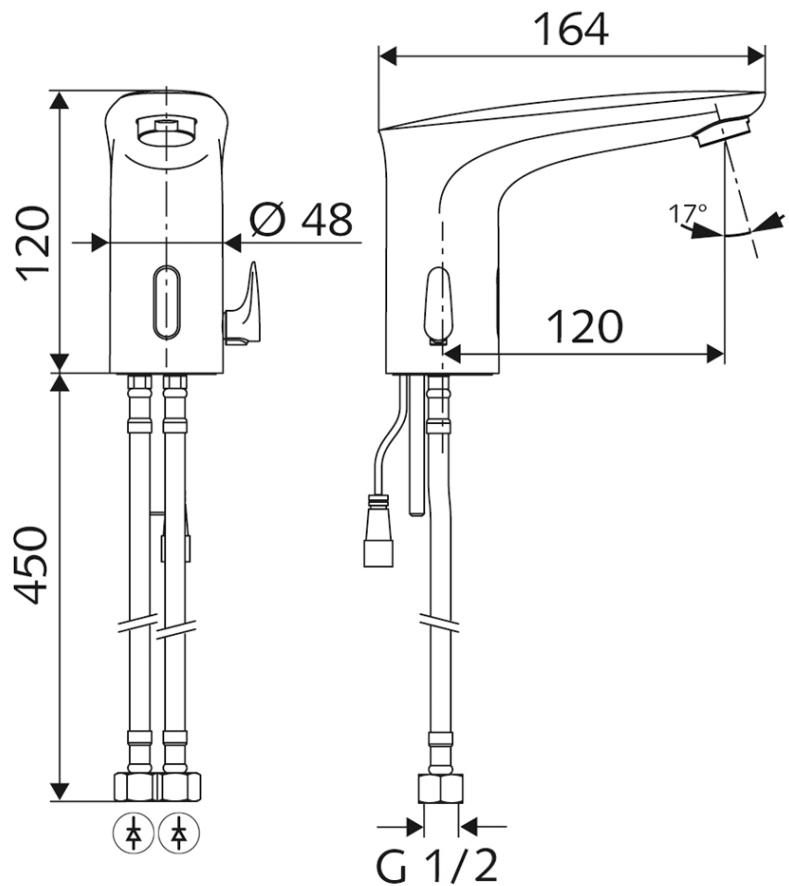
Technical Specification

Required Product

Recommended Products

- Additional Notes**
- Includes 9V Battery
 - Touchless Operation
 - Adjustable Detection Range (2 to 17cm)
 - 24hr Stagnation Flush Option
 - Temperature Adjustable (Hot/Cold)

*Please visit argentaust.com.au/warranty to view the full warranty



Note: All dimensions are in millimetres and are subject to normal manufacturing variations. Always use the physical product measurements for cut-outs and rough-ins as the technical details shown may differ from the actual product. Use acetic cured silicone sealant. Do not use epoxy type adhesives. Clean with damp cloth. Do not use abrasive cleaners, liquids or pastes.

