
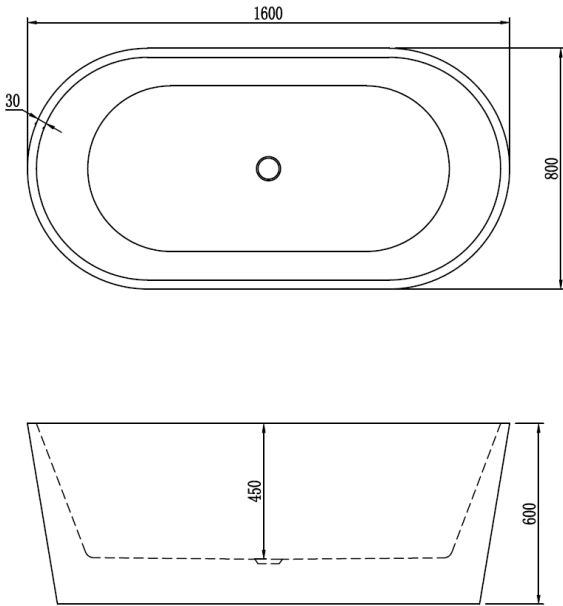


Evolve Acrylic Freestanding Bath

Product Image	Technical Specification
	

Description	Attributes
<p>Evolve 1600 Freestanding Acrylic Bath 1600x800x600mm</p> <p>NBATH400305 White</p>	<ul style="list-style-type: none"> • Warranty: 7/1 years • Bath Size: 1600mm • Capacity: 230L • Material: Acrylic • Plug waste: 40mm • Waste Position: Center

All dimensions provided are in millimeters and are subject to normal manufacturing variations. Actual dimensions should be checked prior to installation. Neko pursues a policy of continuing improvement in design and performance of its products. The right is therefore reserved to vary specifications without notice.