
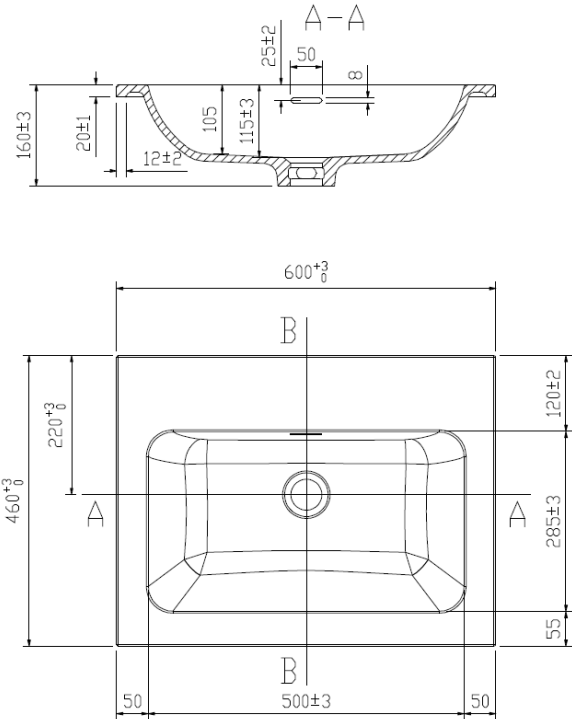


## Caststone Top 600mm

Product Image	Technical Specification
 <p data-bbox="267 1060 698 1102">*Tap not included *Please note that one tap hole is pictured for reference</p>	 <p>The technical drawing includes a cross-section (A-A) and a top view. The cross-section shows a depth of 160±3 mm, a top edge thickness of 20±1 mm, a base thickness of 12±2 mm, a depth to the overflow edge of 105 mm, a distance from the center to the overflow edge of 115±3 mm, a distance from the center to the tap hole of 25±2 mm, a tap hole diameter of 50 mm, and a distance from the center to the overflow edge of 8 mm. The top view shows an overall width of 600<sup>+3</sup><sub>0</sub> mm, an inner width of 500±3 mm, a total depth of 460<sup>+3</sup><sub>0</sub> mm, an inner depth of 285±3 mm, a distance from the center to the side edge of 120±2 mm, and a distance from the center to the bottom edge of 55 mm. The distance from the center to the side edge is labeled 'B'.</p>

Description	Attributes
<p data-bbox="170 1428 803 1491">Caststone Top to suit 600mm Neko/Yushi Vanity NTH</p> <p data-bbox="170 1522 600 1564"><b>NV212505</b>      Matte White</p>	<ul data-bbox="885 1417 1421 1606" style="list-style-type: none"> <li>• Caststone Top</li> <li>• With Overflow</li> <li>• Requires 40mm waste (not included)</li> </ul>

\*All dimensions are in millimeters and are subject to normal manufacturing variations. Actual dimensions should be checked prior to installation. Neko pursues a policy of continuing improvement in design and performance of its products. The right is therefore reserved to vary specifications without notice.