
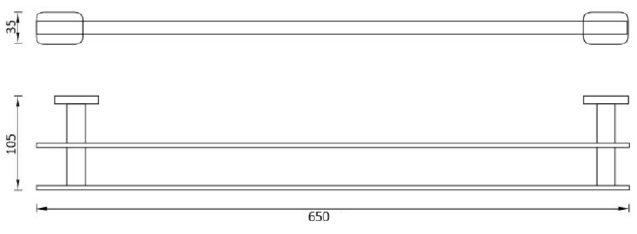


## Cue Double Towel Rail 600mm Chrome

Product Image	Technical Specification
	

Description	Attributes
<p>Cue Double Towel Rail 600mm Chrome</p> <p><b>NA100120</b>                  Chrome</p>	<ul style="list-style-type: none"> <li>• Elegant European style design</li> <li>• Soft rectangular wall plates</li> <li>• Flawless chrome finish</li> <li>• Warranty: 7/1 years</li> </ul>

\*All dimensions are in millimeters and are subject to normal manufacturing variations. Actual dimensions should be checked prior to installation. Neko pursues a policy of continuing improvement in design and performance of its products. The right is therefore reserved to vary specifications without notice.