

NARDINI

Toilet Suite

Close Coupled

The Harmony sanitaryware range will deliver the perfect solution for your bathroom



PRODUCT CODE

HARMONY10000 ●

FEATURES

Rim Configuration

Box Rim

Waste Outlet

S Trap

Inlet

Bottom inlet on Right of Cistern

Seat

Soft-Close

Colour

White

Material

Vitreous China Pan & Cistern

Pan Set-Out

140mm

Weight

22Kg Pan, 12Kg Cistern

Flushing (Ltr)

4.3 Litres Full Flush

2.8 Litres Half Flush

3.1 Litres Average Flush

WELS Rating

4 Star

Australian Standards

AS1172.1-2014

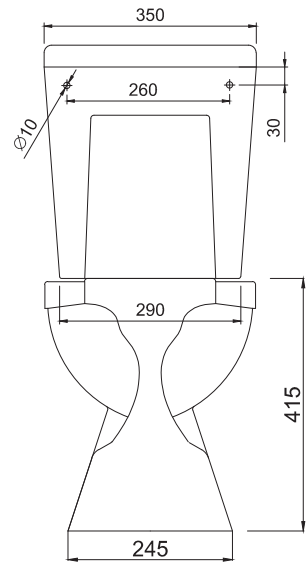
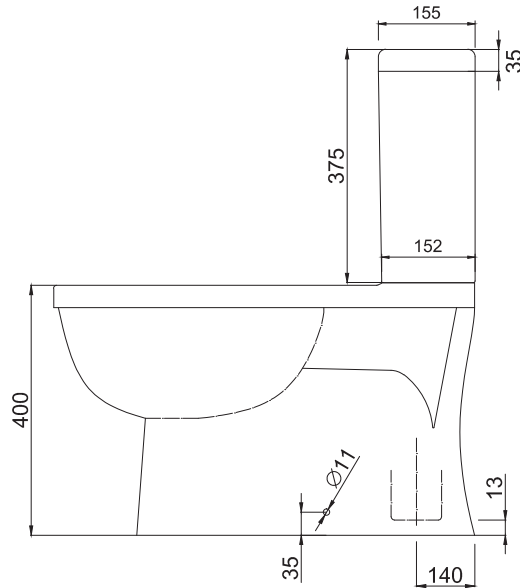
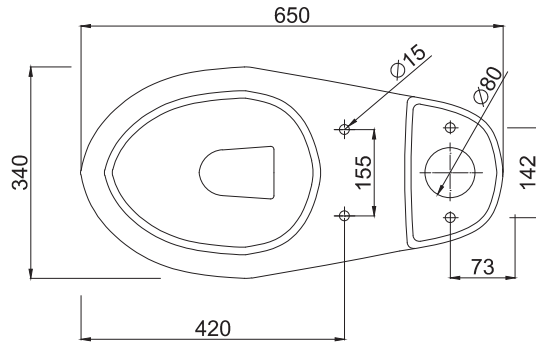
AS1172.2-2014

Warranty

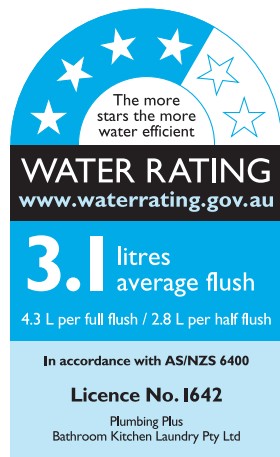
10 Years Pan & Cistern, 2 years Seat,
3 Years Valves, 1 Year Push Buttons

harmony®

PRODUCT DIMENSIONS



WELS RATING



AUSTRALIAN STANDARDS



DISCLAIMER

The installation of this toilet suite should be undertaken by a qualified and licensed plumber and in accordance with the National Plumbing Code AS/NZS 3500.2.2. Harmony sanitaryware products are designed to meet the appropriate Australian standards. Dimensions and set-outs contained are correct at the time of publication. However, neither the manufacturer nor the distributor takes responsibility for printing errors. The manufacturer and the distributor reserve the right to vary specifications or delete toilet suite models without prior notification. A failure to follow the installation instructions, or a failure to have the product installed by a licensed tradesperson, may void the product's warranty.

Version Date: 2023/04