

Rainmaker Select

Overhead shower 460 2jet EcoSmart 9 l/min with shower arm

Surfaces: **White/Chrome** Article Number: **24015400**



Description

product features

- consists of: overhead shower, shower arm
- spray type: Rain, RainStream
- shower head size: 466 x 300 mm
- shower arm length: 461 mm
- flow rate Rain spray (at 3 bar): 9 l/min
- flow rate RainStream spray (at 3 bar): 9 l/min
- easy cleanable glass spray disc
- spray disc removable for cleaning
- overhead shower removable for cleaning
- installation: wall-mounted - for installation on iBox
- scope of supply: overhead shower, shower arm, mixing unit, filters, mounting material, special tool, assembly instruction
- not included: basic set

Technology



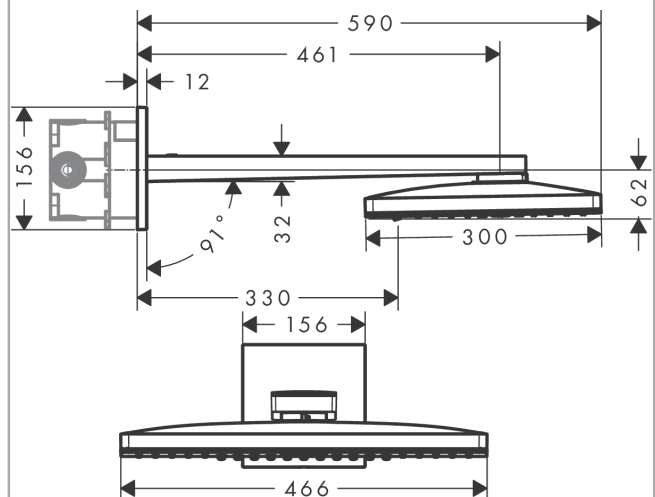
Certificates



Product image



Scale drawing



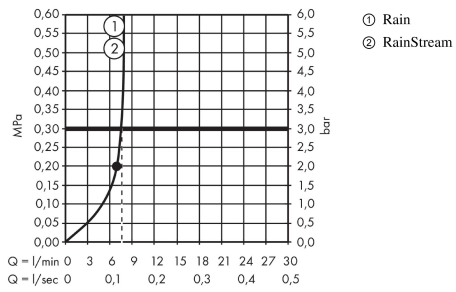
Rainmaker Select

Overhead shower 460 2jet EcoSmart 9 l/min with shower arm

Surfaces: **White/Chrome** Article Number: **24015400**



Flowchart



The consumption was measured in combination with the appropriate fittings (thermostat/mixer/in-wall valve) to reflect actual application in practice.

Rainmaker Select
Overhead shower 460 2jet EcoSmart 9 l/min with shower arm
 Surfaces: **White/Chrome** Article Number: **24015400**



Installation examples

