

RainSelect

Thermostat for concealed installation for 5 functions with integrated shower holder

Finish: **Chrome** Article Number: **15358000**



Description

product features

- consists of: Thermostat, shower holder
- 5 functions
- thermostat cartridge, Start/stop valve to operate the functions
- depending on volume flow and installation situation approx. 50% flow rate reduction and integrated shut off function
- Select push-button on/off control for 5 outlets
- simultaneous use of several outlets
- maximum flow rate at 3 bar: 38 l/min
- flow rate per outlet: 26 l/min
- flow rate by simultaneous use of all outlets: 38 l/min
- min. operating pressure: 1 bar
- max. operating pressure: 10 bar
- safety stop at 40 °C
- temperature limitation adjustable
- non-return valve
- for shower hoses with conical or cylindrical nut on both sides
- thermostat is delivered with buttons hand shower, Waterfall, Rain large, Mono, body shower
- connection type: basic set

Technology



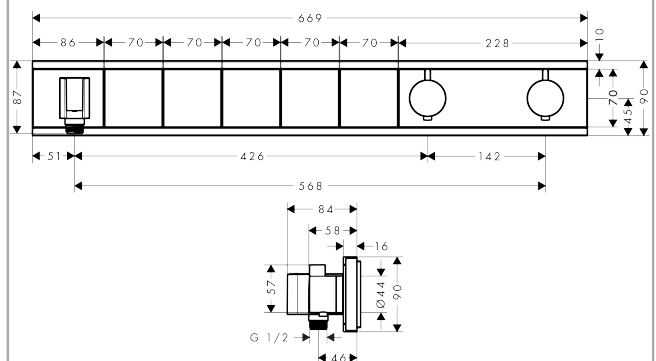
Certificates / Sustainability



Product image



Scale drawing



RainSelect

Thermostat for concealed installation for 5 functions with integrated shower holder

Finish: **Chrome** Article Number: **15358000**



Installation examples

RainSelect
1531318X / 15358XXX

