

Focus

3-hole basin mixer 100 with pop-up waste set

Surfaces: **Chrome** Article Number: **31937000**



Description

product features

- consists of: 3-hole basin mixer, waste set
- ComfortZone 100
- flow rate at 3 bar: 5 l/min
- suitable for continuous flow water heaters
- pop-up waste set
- material waste set: metal
- scope of supply: 3-hole basin mixer, connection hoses, fixing set, assembly instruction

Technology



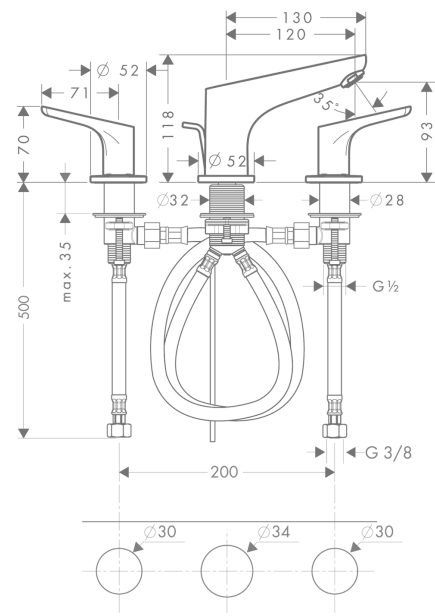
Certificates



Product image



Scale drawing



Flowchart

