

60cm multi-function 7 black fan forced oven with Easy Pyro Clean, Quick Cook, programmable timer and 80L capacity.



Product Details

FEATURES

Easy Pyro Clean

Quick Cook for rapid, high and even heat

Programmable timer

Fast and even cooking results

Easy to use dial controls

80L cooking capacity

Black finish

BENEFITS

An oven that cleans itself. Easy. Our Easy Pyro Clean means fuss free and effortless cleaning. At the press of a button, the pyrolytic function means the oven reaches high temperatures and turns residue into ash so all you need to do is gently wipe away.

High heat for incredible roasts. Easy. Rapid, high and even heat means better roasts at home.

Set and forget cooking. Easy. The programmable timer means that you can set the cooking start time and duration, and well do the rest.

Fan forced and fast
The powerful fan forced oven provides even heat distribution and faster cooking times for better results in the kitchen.

80L cooking capacity
With room to cook larger style family meals, the 80L oven capacity gives you the flexibility to cook for a crowd with ease.

Built in Australia
Chef has been part of Australian homes for generations and the kitchen appliance brand we have always known and trusted to build reliable products. This oven is built in a local factory in Adelaide.

Modern black finish
The black control panel finish and dark glass oven door has been designed with the latest kitchen trends in mind. This modern and versatile look will suit every kitchen space.

Specifications

PRODUCT PROFILE

Domestic warranty details (yrs)	2
Type of Oven	single oven
Oven fuel	electric
Materials/Colour	black
Controls of Oven	control knob
Cooling fan	Yes

FLUSH FIT CUT OUT

Flush fit cut out height (mm)	600
Flush fit cut out width (mm)	600
Flush fit cut out depth (mm)	581

MAIN OVEN

DIMENSIONS

PRODUCT DIMENSION

Total height (mm)	599
Total width (mm)	596
Total depth (mm)	567

PROUD FIT CUT OUT

Proud fit cut out height (mm)	568
Proud fit cut out width (mm)	590
Proud fit cut out depth (mm)	560

ELECTRICAL CONNECTION

MAIN OVEN

Gross capacity litres	80
Useable capacity litres	72
Oven function	multifunction
Number of functions	7
Oven Functions	pizza,rapid heat,grill,fan grill,fan bake,Quick cook,traditional bake,Pyroclean
Oven liner	enamel
Timer functions	Ringer
Light wattage	25

OTHER FEATURES

Cleaning	pyrolytic
Type of Pyrolytic functions	pyrolytic heavy soil,pyrolytic light clean
Door	removable door,removable inner glass panes,drop down,cool door
Timer	Programmable timer

ELECTRICAL CONNECTION

Connected load KW	3.1
Maximum current rating (amps)	12.9
Type of connection	hardwired

SHIPPING

Shipping Weight (Kg)	39
Pack Dimensions Height (mm)	665
Pack Dimension Width (mm)	635
Pack Dimension Depth (mm)	670

OTHER FEATURES

Lights	1
Light wattage	25
Light position	rear
Shelf support	easy clean formed shelf supports
Number of shelves	2
Safety features	child safe mode,cool door
Fold down grill element	Yes
Included accessories	enamel full width baking tray,wire grill insert,grill rack,wire shelves stainless steel x 2,side racks
Layers of glass in door	4
Number of shelf positions	5

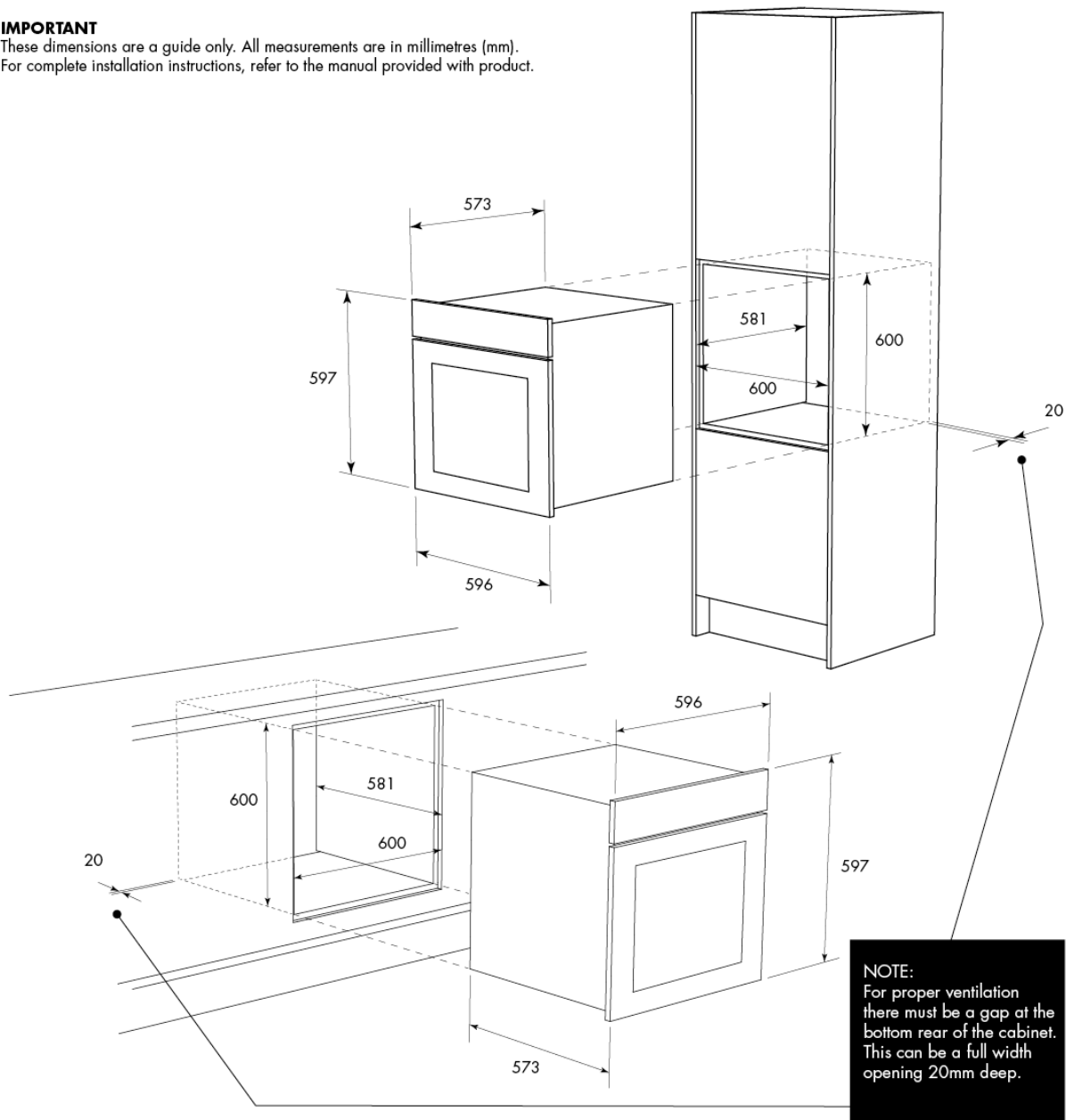
STUFFING QUANTITIES

20ft	72
40ft	153
40ft HC	153

Dimensions

IMPORTANT

These dimensions are a guide only. All measurements are in millimetres (mm).
For complete installation instructions, refer to the manual provided with product.



NOTE:
For proper ventilation there must be a gap at the bottom rear of the cabinet. This can be a full width opening 20mm deep.

Terms and Conditions

IMPORTANT

This is a guide of product dimensions only. For complete installation instructions, refer to the manual provided with product.

PRODUCT INFORMATION

The descriptors and illustrations in this publication apply to the specific products and models described as at the date of issue. Under our policy of continuous product development, product specifications may change without notice. Prospective purchasers should therefore check with their retailer to ensure this publication correctly describes the products that are being offered for sale. All information supplied is to be used for general reference purposes only and is on the understanding that Electrolux Home Products Pty Ltd (Australia) and Electrolux (NZ) Ltd (New Zealand) will not be liable for any loss, liability or damage of whatever kind arising as a result of reliance on such information. Colours of products illustrated are as close as printing limitations allow. Electrolux will at all times comply with its obligations pursuant to law including Trade Practices (Australian Consumer Law) Act and Regulations.

WARRANTY

This warranty only applies to Appliances purchased and used in Australia or New Zealand and used in normal domestic applications and is in addition to (and does not exclude, restrict, or modify in any way) any non-excludable statutory warranties in Australia or New Zealand. All warranties are subject to the conditions set out in the warranty card accompanying the product when purchased.

ELECTROLUX HOME PRODUCTS AUSTRALIA

telephone: 1300 363 640

fax: 1800 350 067

email: customercare@electrolux.com.au

web: www.electrolux.com.au

ELECTROLUX HOME PRODUCTS NEW ZEALAND

telephone: 09 573 2230

fax: 09 573 2221

email: customercare@electrolux.co.nz

web: www.electrolux.co.nz