

60cm slide-out rangehood with stainless steel front, 200 m³/hr extraction rate, LED lighting, 2 fan speeds, auto activated push-pull controls and dishwasher safe mesh filters.



Product Details

FEATURES

200 m3/hr extraction rate

Long lasting LED lighting

2 fan speed options

Dishwasher Safe mesh filters

Auto activated push-pull controls

BENEFITS

Banish kitchen smoke and odours
Keep your kitchen free from smoke and cooking odours with Chefs high extraction rate.

Low energy and long lasting LED lighting
A rangehood that lights up so you can cook with ease. Cook and see your meal clearly with our bright LED lighting that is both low energy and long lasting.

Dishwasher safe filters. Easy
The easy to remove rangehood filters can be washed safely in the dishwasher for a mess-free clean up.

Control with ease
The user friendly and fuss free controls offer a simpler cooking experience.

Specifications

PRODUCT PROFILE

| | |
|---------------------------------|----------------------|
| Domestic warranty details (yrs) | 2 |
| Type of Rangehood | slide out |
| Nominal width (cm) | 600 |
| Finish of Rangehood | stainless steel,grey |

DIMENSIONS

| | |
|---|-----|
| Total product height (mm) | 175 |
| Total product width (mm) | 597 |
| Total product depth (mm) | 300 |
| Diameter of ducting (mm) | 120 |
| Minimum installation height from cooking surface Gas (mm) | 650 |

MOTOR/FAN

| | |
|-----------------------|-------------|
| Number of fans | 1 |
| Number of fans speeds | 2 |
| Type of motor | centrifugal |
| Maximum airflow M3/Hr | 200 |
| Noise level dB high | 68 |
| Noise level dB low | 65 |

CONTROLS

| | |
|---------------|--------------------------|
| Control panel | auto activated pull/push |
|---------------|--------------------------|

DIMENSIONS

Minimum installation height from cooking surface Electric (mm) 600

FILTERS

Number of filters 2

Type of filter multilayer aluminum micromesh filters

Dishwasher safe Yes

DUCTING / RECIRCULATION

Ducting yes

Top or rear duct hole top

Recirculation option Yes

Recirculation kit optional accessory

Front recirculating option No

Optional extension flue No

Type of filter Carbon

LIGHTS

Number of lights 1

Wattage of light 5.5

Type of light LED

SHIPPING

Product Weight (Kg) 7.5

Pack Dimensions Height (mm) 245

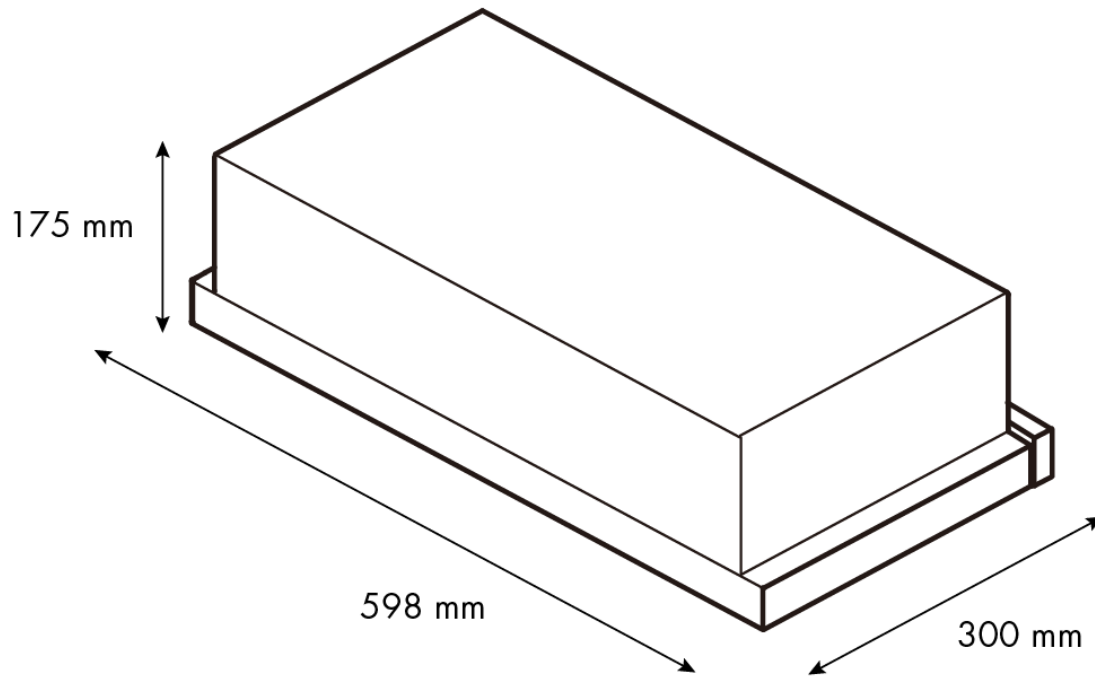
Pack Dimension Width (mm) 655

Pack Dimension Depth (mm) 365

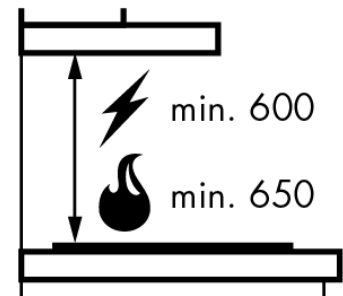
STUFFING QUANTITIES

| | |
|---------|------|
| 20ft | 432 |
| 40ft | 972 |
| 40ft HC | 1075 |

Dimensions



IMPORTANT These dimensions are a guide only. All measurements are in millimetres (mm). For complete installation instructions, refer to the manual provided with product.



© 2021 Electrolux Home Products Pty Ltd. ABN 51 004 762 341. C_DIM_Rangehoods_May21

Terms and Conditions

IMPORTANT

This is a guide of product dimensions only. For complete installation instructions, refer to the manual provided with product.

PRODUCT INFORMATION

The descriptors and illustrations in this publication apply to the specific products and models described as at the date of issue. Under our policy of continuous product development, product specifications may change without notice. Prospective purchasers should therefore check with their retailer to ensure this publication correctly describes the products that are being offered for sale. All information supplied is to be used for general reference purposes only and is on the understanding that Electrolux Home Products Pty Ltd (Australia) and Electrolux (NZ) Ltd (New Zealand) will not be liable for any loss, liability or damage of whatever kind arising as a result of reliance on such information. Colours of products illustrated are as close as printing limitations allow. Electrolux will at all times comply with its obligations pursuant to law including Trade Practices (Australian Consumer Law) Act and Regulations.

WARRANTY

This warranty only applies to Appliances purchased and used in Australia or New Zealand and used in normal domestic applications and is in addition to (and does not exclude, restrict, or modify in any way) any non-excludable statutory warranties in Australia or New Zealand. All warranties are subject to the conditions set out in the warranty card accompanying the product when purchased.

ELECTROLUX HOME PRODUCTS AUSTRALIA

telephone: 1300 363 640

fax: 1800 350 067

email: customercare@electrolux.com.au

web: www.electrolux.com.au

ELECTROLUX HOME PRODUCTS NEW ZEALAND

telephone: 09 573 2230

fax: 09 573 2221

email: customercare@electrolux.co.nz

web: www.electrolux.co.nz