

90cm 4 zone electric solid cooktop with knob controls, corrosion resistant solid hotplate, and easy to clean white enamel finish.



Product Details

FEATURES

Corrosion resistant solid hotplate

Easy clean enamel

Stylish and functional knobs

2.0kW powerful zone

Side controls for easy access and safety

BENEFITS

Corrosion resistant cooking

Made to be corrosion resistant, our solid cooktop hotplates deliver desired heat to your cooking whilst minimising wear and tear.

Easy to maintain

Easy clean formed hob in an enamel finish makes this hob easy to maintain

Side controls

Stepped controls on the side of the cooktop make it easy to determine the heat needed for great cooking results.

Specifications

PRODUCT PROFILE

Domestic warranty details (yrs)	2
Cooktop type	electric
Materials/Colour	white enamel
Knob Finish	white

CONTROLS

Controls of Cooktops	knob
Position of controls	right
Indicators/display	heating lamp

LEFT REAR ZONE

Left rear zone	solid
----------------	-------

DIMENSIONS

Total product height (mm)	58
Total product width (mm)	870
Total product depth (mm)	406
Cut out width (mm)	825
Cut out depth (mm)	362

ELEMENTS/BURNERS

LEFT FRONT ZONE

Left front zone	solid
Left front Watts	1500
Left front number of cooking zones	1

RIGHT FRONT ZONE

Right front zone	solid
------------------	-------

Left rear watts	1500
-----------------	------

Left rear number of cooking zones	1
-----------------------------------	---

Right front Watts	1500
-------------------	------

Right front number of cooking zones	1
-------------------------------------	---

RIGHT REAR ZONE

Right rear zone	solid
-----------------	-------

Right rear watts	2000
------------------	------

Right rear number of cooking zones	1
------------------------------------	---

SHIPPING

Shipping Volume (m3)	0.075
----------------------	-------

Shipping Weight (Kg)	12
----------------------	----

Pack Dimensions Height (mm)	166
-----------------------------	-----

Pack Dimension Width (mm)	946
---------------------------	-----

Pack Dimension Depth (mm)	476
---------------------------	-----

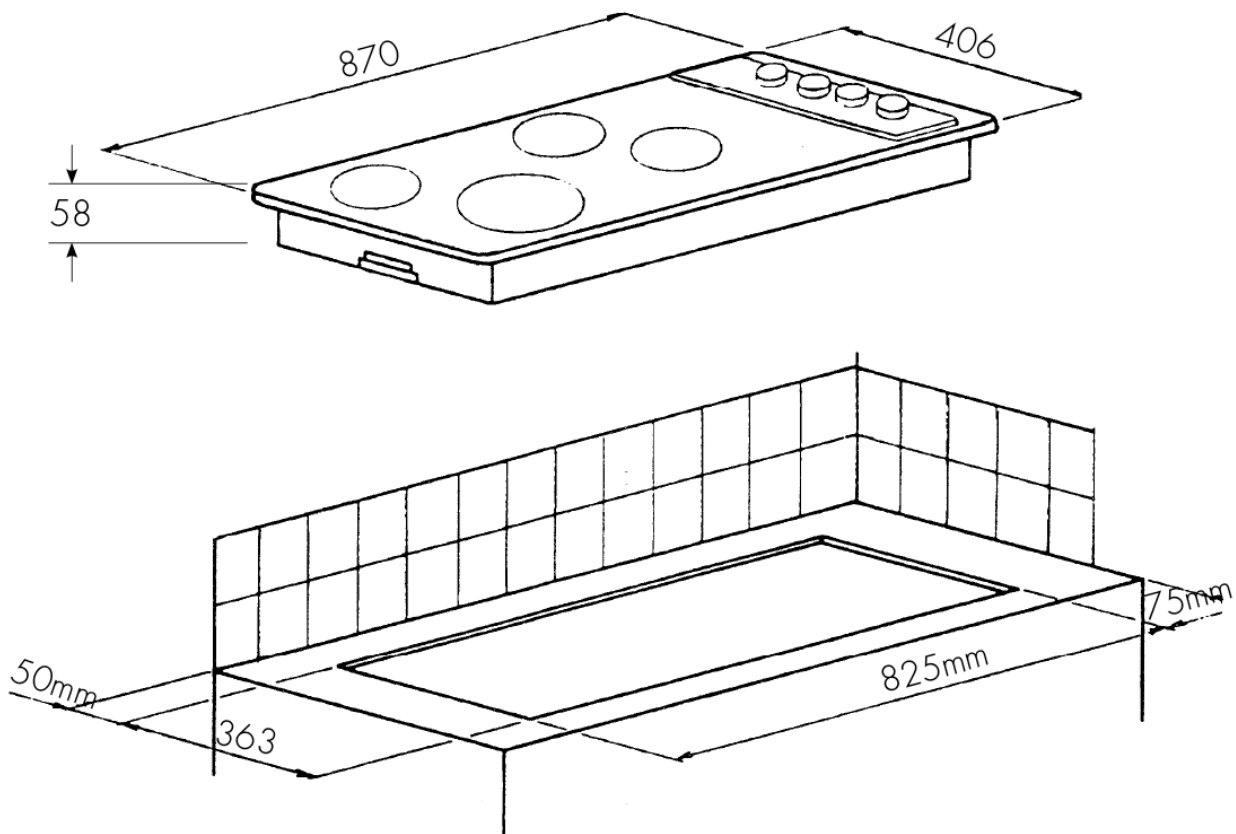
ELECTRICAL SPECIFICATIONS

Connected load KW	6.5
-------------------	-----

Type of connection	hardwired
--------------------	-----------

Dimensions

IMPORTANT These dimensions are a guide only. All measurements are in millimetres (mm). For complete installation instructions, refer to the manual provided with product.



© 2021 Electrolux Home Products Pty Ltd. ABN 51 004 762 341. C_DIM_Cooktops_May21

Terms and Conditions

IMPORTANT

This is a guide of product dimensions only. For complete installation instructions, refer to the manual provided with product.

PRODUCT INFORMATION

The descriptors and illustrations in this publication apply to the specific products and models described as at the date of issue. Under our policy of continuous product development, product specifications may change without notice. Prospective purchasers should therefore check with their retailer to ensure this publication correctly describes the products that are being offered for sale. All information supplied is to be used for general reference purposes only and is on the understanding that Electrolux Home Products Pty Ltd (Australia) and Electrolux (NZ) Ltd (New Zealand) will not be liable for any loss, liability or damage of whatever kind arising as a result of reliance on such information. Colours of products illustrated are as close as printing limitations allow. Electrolux will at all times comply with its obligations pursuant to law including Trade Practices (Australian Consumer Law) Act and Regulations.

WARRANTY

This warranty only applies to Appliances purchased and used in Australia or New Zealand and used in normal domestic applications and is in addition to (and does not exclude, restrict, or modify in any way) any non-excludable statutory warranties in Australia or New Zealand. All warranties are subject to the conditions set out in the warranty card accompanying the product when purchased.

ELECTROLUX HOME PRODUCTS AUSTRALIA

telephone: 1300 363 640

fax: 1800 350 067

email: customercare@electrolux.com.au

web: www.electrolux.com.au

ELECTROLUX HOME PRODUCTS NEW ZEALAND

telephone: 09 573 2230

fax: 09 573 2221

email: customercare@electrolux.co.nz

web: www.electrolux.co.nz