

Care 610 Cleanflush™

Sanitary Compartment For People with Ambulant Disabilities 4.5/3 litre Toilet Suite



The **Care 610 Cleanflush™** connector suite offers an elevated pan for easy transfer on and off the seat for those with limited mobility. The added hygiene of the Cleanflush® rimless flushing system makes the range ideal for hospital, aged care and commercial applications where the absolute highest levels of hygiene and rapid cleaning are required. The versatility of the Care 610 pan makes it suitable for use by both ambulant persons with disabilities and wheel-chair users, including commode chairs..

- Important:** Reference must be made to **AS 1428.1-2009 with current amendments for people with ambulant disability requirements. The dimensions in this sheet may change with amendments to the standard.**
- Pan:** Care 610 Cleanflush™ 4.5 litre full flush washdown rimless pan with a fully glazed trap.
- Traps:** S or P-trap unvented only.
- Inlet:** 50mm back inlet 40mm key seal is available if required.
- Cistern:** Profile Smartflush Cistern (wall fix version) – has a free fitting lid and is suitable for domestic and light commercial applications.
Important: Working pressure minimum 30kPa to maximum 1000kPa flow pressure. Rain water tank compliant.
- Buttons:** Round Button - Chrome (supplied). Other button options sold separately. See Section 4.01 for further details
- Inlet and Overflow:** Standard Bottom Entry Cistern – available as right hand inlet which is interchangeable and incorporates Quietflow inlet valve. Internal overflow only.
- Seats:** Caravelle Care seat supplied, available in Caroma White (W), Sorrento Blue (SB) and Anthracite Grey (AG). See Section 3 SEATS for further details.
- Position of the Pan:** Refer to below illustration for specific setout dimensions for this suite to meet projection requirements for people with ambulant disabilities.
- Colours:** White only.
- Installation:** The installation of the toilet suite shall be in accordance with the normal minimum drainline grade requirements in AS/NZS 3500.2.
- Dimensions:** All dimensions are in millimetres and are subject to normal manufacturing variations. Caroma pursues a policy of continuing improvement in design and performance of its products. The right is therefore reserved to vary specifications without notice.

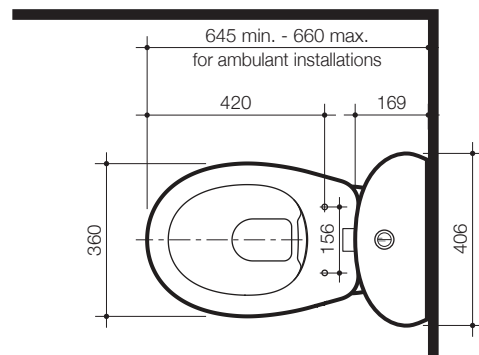


Note: The projection requirements for people with ambulant disabilities is 645 to 660mm.

All height dimensions to underside of pan, make allowance for mortar bedding.

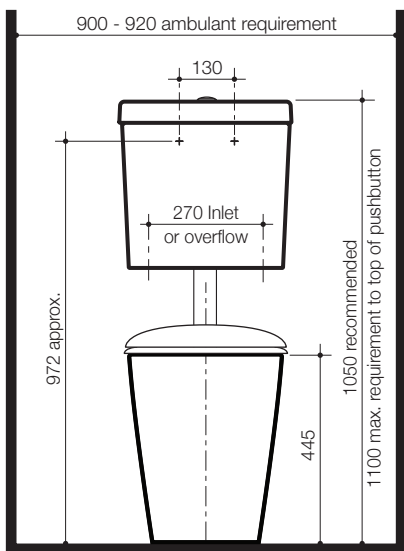
Mortar bedding: The pan should be fixed to the floor with a sand cement mixture of 3:1 to a depth of 60mm. When bedded the back of the foot of the pan should be approximately 10mm above the finished floor.

Screw fixing: The pan should be bedded with an acetic cured silicone sealant and fixed with corrosion resistant screws and pan guard washers. Use Caroma pan fixing kit. Code No.601150.

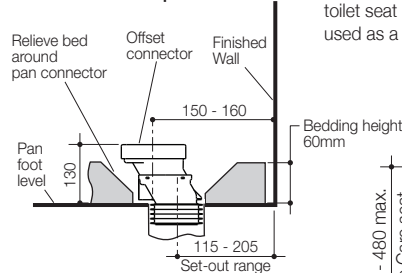


Care 610 Cleanflush Toilet Suites:

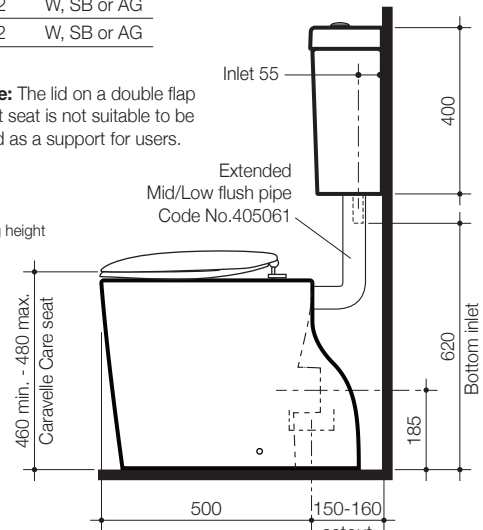
With Caravelle Care Seat –		Code No.	Seat colour:
Single Flap	S trap	982931	W, SB or AG
	P trap	982941	W, SB or AG
Double Flap	S trap	982932	W, SB or AG
	P trap	982942	W, SB or AG



Installation for 'S' trap



Note: The lid on a double flap toilet seat is not suitable to be used as a support for users.



* Reference must be made to the AS 1428.1-2009 Amd 1 to confirm installation requirements.