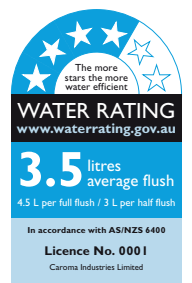


Liano Invisi II Cleanflush™

4.5/3 litre Dual Flush Toilet Suite with
Liano Cleanflush™ Wall Hung Rimless Vitreous
China Pan and Invisi II Cistern for Inwall, Under
Counter, Induct or Inceiling applications



cleanflush



Liano Invisi II Cleanflush

4.5/3 litre Dual Flush Toilet Suite with Liano Cleanflush™ Vitreous China Wall Hung Rimless Pan and Invisi II Cistern for Inwall, Under Counter, Induct or Inceiling applications



Combining universal design with rimless pan technology, the **Urbane Cleanflush™** is a superior flushing system suitable for domestic and commercial applications. Incorporating several patented technologies: Caroma Flow Splitter™, Caroma Flow Balancer™ and Caroma Uni-Orbital® Connector, the Cleanflush pan is innovative and the next evolution in toilets. The Flow Splitter evenly flows water around the top of the bowl to meet at the Flow Balancer which directs the water powerfully into the sump, reducing the need for brush cleaning. The rimless pan is easy to clean and unlike traditional pan profiles, provides full visibility of any grime build up. Caroma Cleanflush provides a cleaner clean for peace of mind.

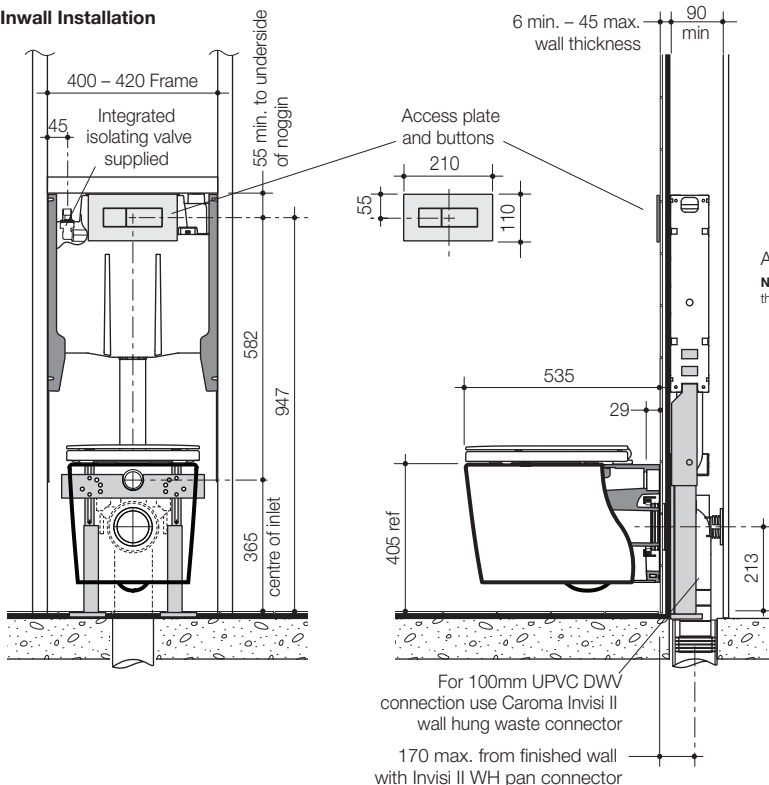
- Pan:** **Liano Cleanflush™** 4.5 litre wall hung full flush rimless pan.
- Traps:** P-trap only unvented.
- Inlet:** Fully glazed 50mm back inlet for concealed cistern and flushvalve installation.
- Cistern:** **Invisi II** cistern – suitable for inwall, under counter, induct and in ceiling applications. For push button and access plate (supplied separately) options see 6.15.1.
- Fixing:** **Invisi II Wall Hung Pan Bracket** options — **D.403 Standard** Code No.237403, **D.402 Undercounter** Code No.237402
Sanifix Wall Hung Pan Bracket options — **D.788 Bolt Through the Wall Bracket** Code No.687788.
Note: The bracket systems are suitable for installation only where non compressible wall materials are used.
Cistern – the cistern and bracket for under counter or inwall Invisi II systems are pre-assembled and are supplied with the flush pipe and a waste pipe suitable for installation in a 90mm cavity wall. Structural brick wall systems require the cistern to be fixed to the wall. For in wall applications with raised height cisterns an extension kit is provided with the kit.
- Seats:** The **Liano** soft close toilet seat is provided as standard with the Liano suite. A quality solid section compression moulded toilet seat, fitted with buffers and metal hinges.
- Colours:** White only.
- Installation:** The installation of the toilet suite shall be in accordance with the normal minimum drainline grade requirements in AS/NZS 3500.2.
- Dimensions:** All dimensions are in millimetres and are subject to normal manufacturing variations. Caroma pursues a policy of continuing improvement in design and performance of its products. The right is therefore reserved to vary specifications without notice.

Liano Invisi II Cleanflush Wall Hung Suite Inwall/Under Counter Installations

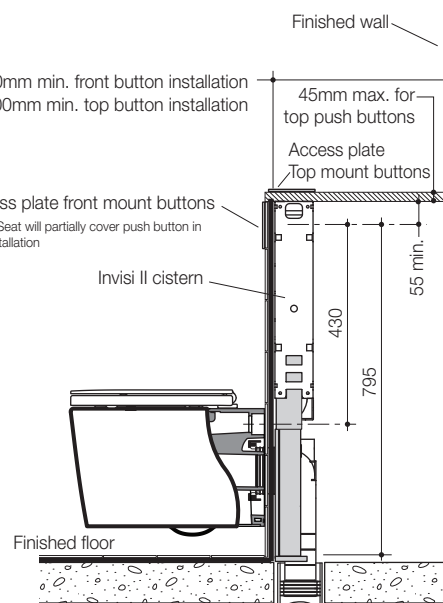
Liano Invisi II Cleanflush 4.5/3 litre Wall Hung Toilet Suites with Liano Soft Close Seat:	Code No.
Inwall/Induct/Inceiling	766910
Under Counter	766920
Structural Wall	766930

Button options: see 6.15.1

Inwall Installation



Under Counter Installation



Note: Access to cistern internals can be achieved through either front or top mount button plate option.