

Caroma®

Cube 0.8 litre Electronic Activation Urinal Suite

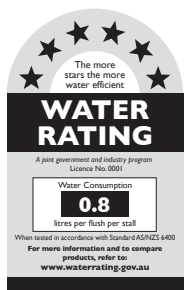
Smart Demand 'Urine Sensing' Flushing System
with Vitreous China Wall-Hung Box Rim Urinal



CI/SfB	(74.1)	g3
Date	February 2016	

Supersedes all previous issues

7.01.2

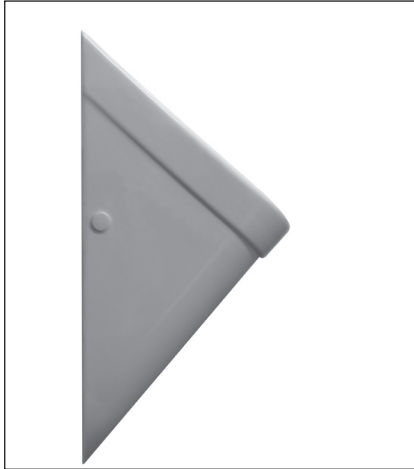


Caroma[®]

Cube 0.8 litre

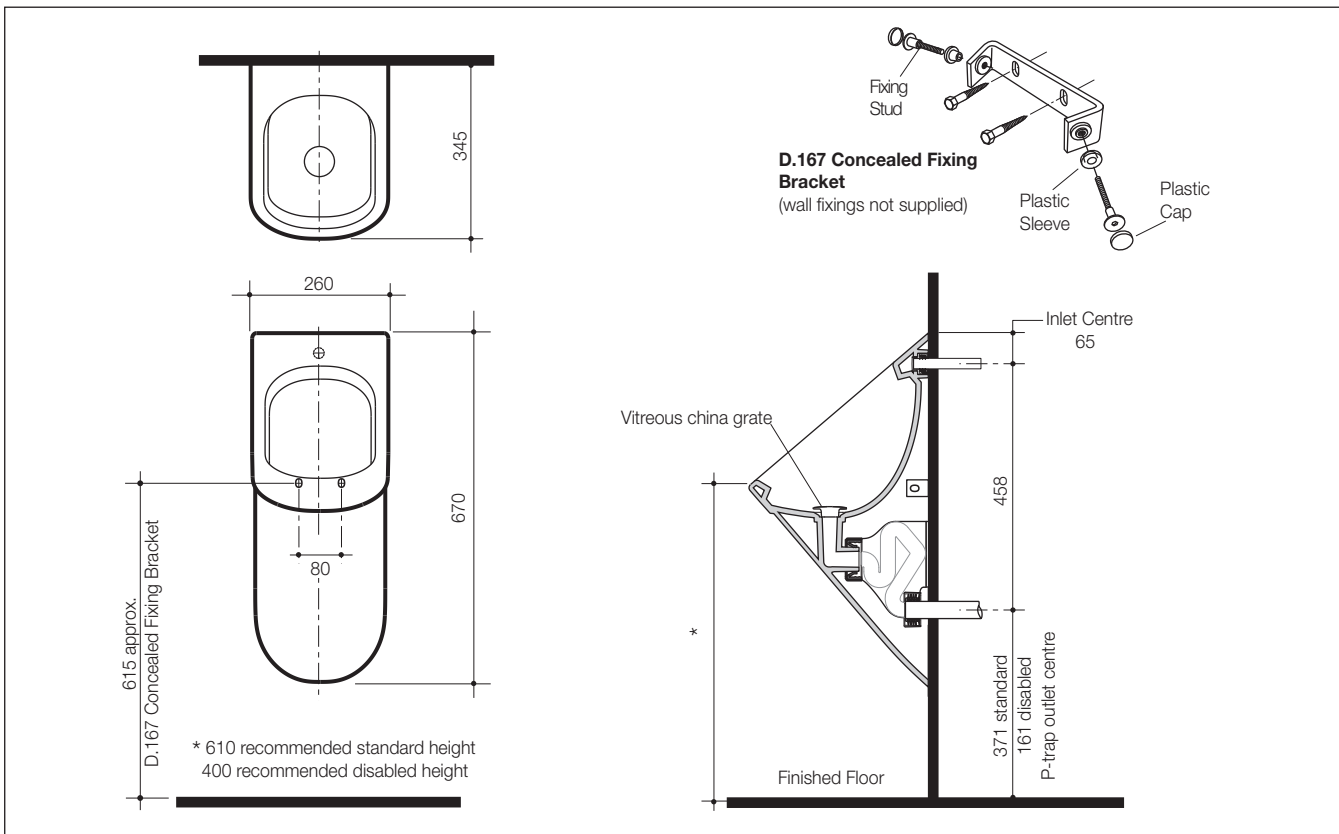
Electronic Urinal Suite

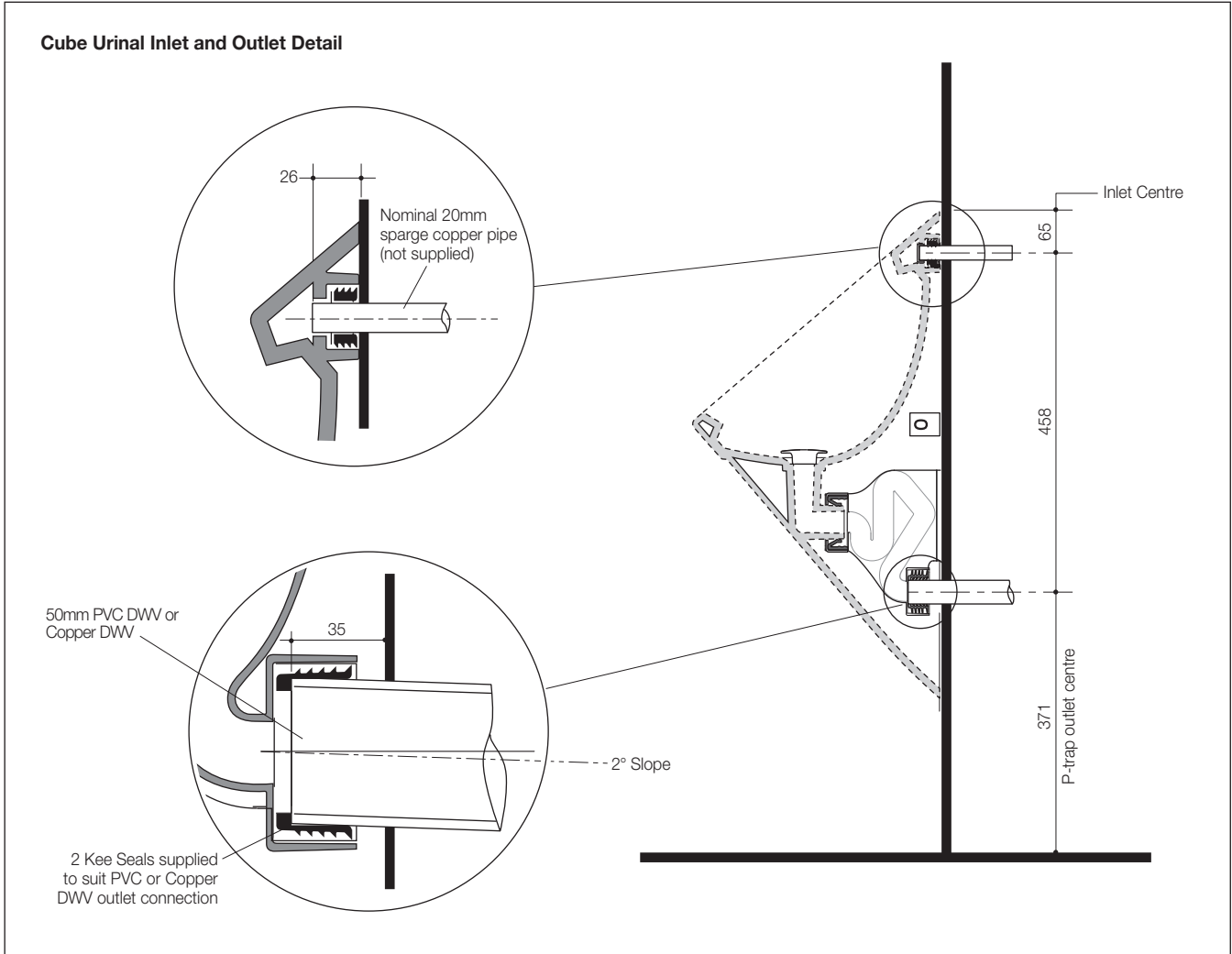
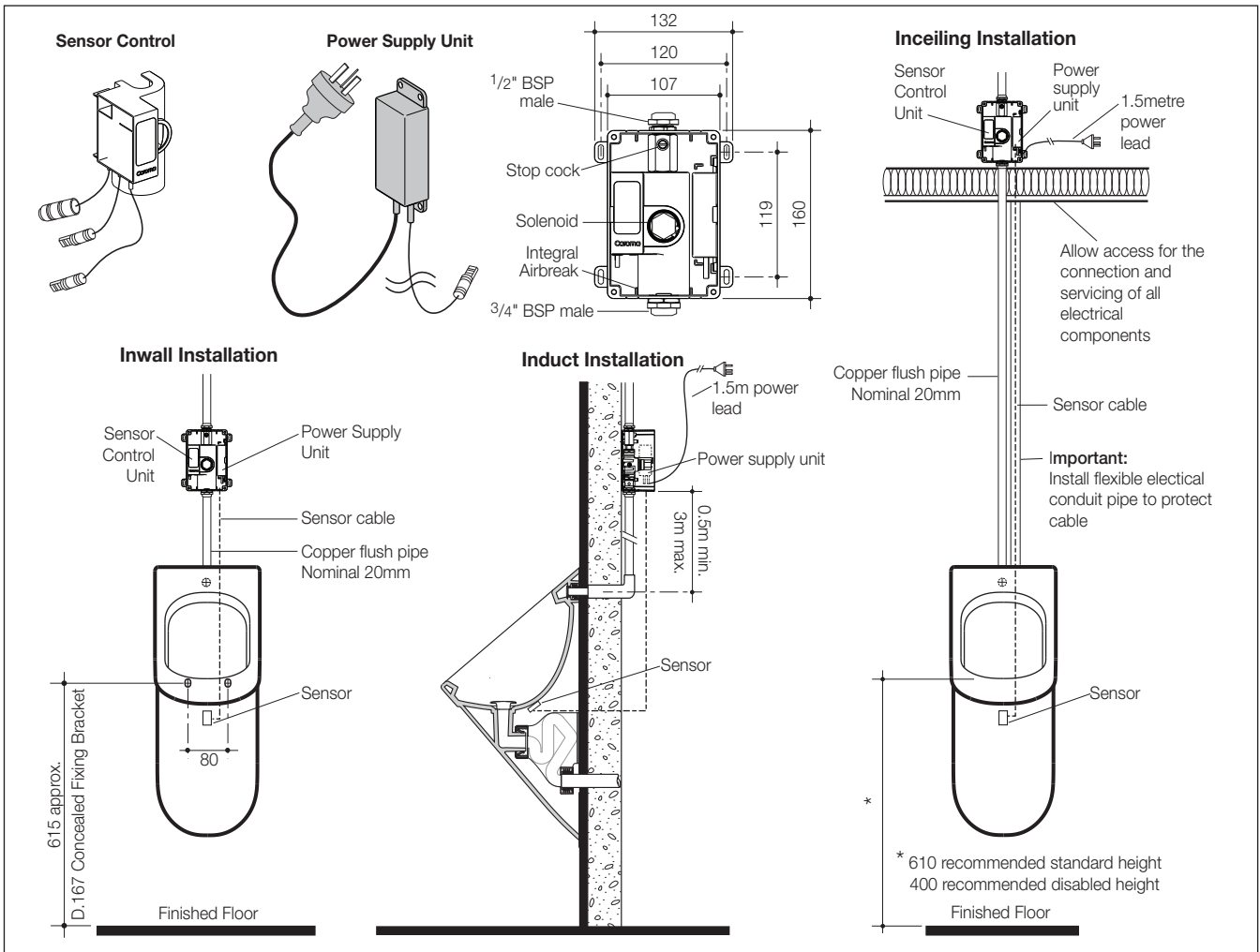
Smart Demand 'Urine Sensing' Flushing System Inwall/Induct/Inceiling with Vitreous China Wall-Hung Box Rim Urinal



A contemporary design fully integrated box rim, wall mounted urinal operating with a ultra low flush of 0.8 litres to achieve a **six star WELS rating**. The system incorporates a fully automatic electronic smart demand 'Urine Sensing' urinal suite featuring hands free operation to give a combination of superior performance and optimum user hygiene, water saving and vandal resistance. Caroma Smartflush combines the new smart demand flushing system with the **Cube 0.8 litre** urinal ensuring optimal operational standards and efficiency. The sensor is concealed behind the urinal resulting in vandal resistant installation ideal for heavy-duty applications.

- Inlet:** Back inlet for concealed nominal 20mm dia. sparge pipe and compression rubber fitting.
- Outlet:** The urinal trap is connected to wall waste pipe which allows for a simple push on urinal connection.
- Inwall:** Automatic urinal flush system suitable for minimum cavity thickness of 100mm.
- Induct:** Automatic urinal flush system.
- Inceiling:** Automatic urinal flush system.
- Electronic Urinal Suite:** Wall mounted urinal fit-out kit Code No.678800; Rough-in kit Code No.678803
- Fitting:** Vitreous china grate supplied as standard. Vandal resistant grate option Code No.687396.
- Flush Control Mechanism:** Smart demand 'Urine Sensing' operation with an integrated smart logic system, detects user and determines flush mode accordingly. The flush duration is adjustable to allow for the accurate determination of flush volume at varying pressures.
Stadium operation: 5 or more uses with an interval of less than 60 seconds = 1 flush every 3 minutes. Automatically reverts to normal usage at non peak periods.
- Smartflush: Water Saving - Adaptive Flush Technology:** The unit will monitor usage and during normal usage frequency (less than once every 10 mins), the unit will flush after every use. If a higher usage frequency is detected, the unit will flush once after the second use, after which the unit will not flush again for a period of one hour or after 20 uses (whichever comes first). The unit will then automatically revert to normal mode and continue to monitor usage.
- Hygienic Flush:** Hygienic flush every 24 hours prevents the trap seal from drying out.
- Electronic Valve:** The operating voltage of the valve is 6 volts DC. The operation flow pressure of the valve is 300 to 500 kPa (30 to 50 metres head) with a minimum flow to the valve of 18 litres / minute. The valve incorporates an integral airbreak system and stop cock.
- Electronics:** Supply voltage to the system is 240V AC 50Hz. Operating current 6 volts DC.
- Installation:** For general connection install a plug socket 240V AC adjacent to the control box to local code requirements. Provide conduit without kinks to connect the sensor cable to the control box. 3.5m of sensor cable supplied as standard. Minimum supply diameter of nominal 20mm is required to the valve. The urinal must be installed in accordance with the AS/NZS 3500 Plumbing requirements. Local Authorities have varying requirements.
- Dimensions:** All dimensions are in millimetres and are subject to normal manufacturing variations. Caroma pursues policy of continued improvement in design and performance of its products. The right is therefore reserved to vary specifications without notice.





Setout Dimensions and Wall Waste Trap Fixing Detail

