

Caroma®

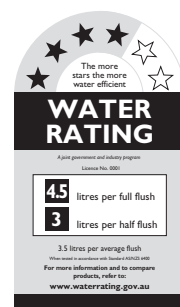
Slimline Concorde

Plastic 4.5/3 litre Dual Flush
Connector Toilet Suite

Cl/SfB	(74.1)	g3
Date	May 2015	

Supersedes all previous issues

3.73.1



Caroma®

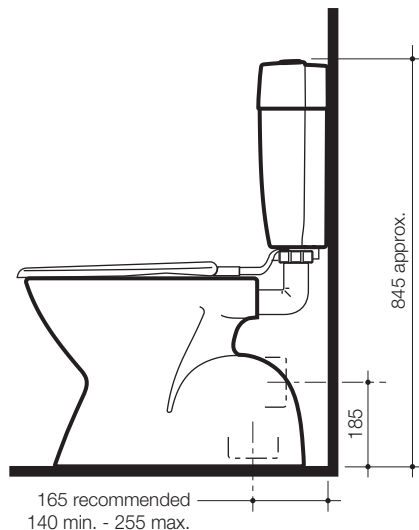
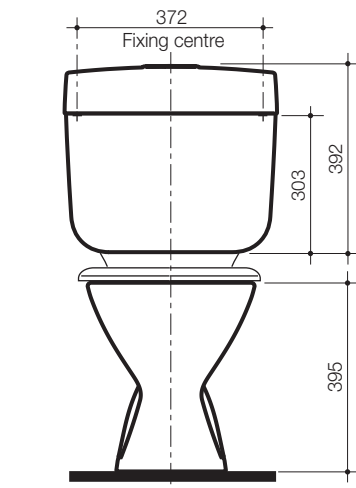
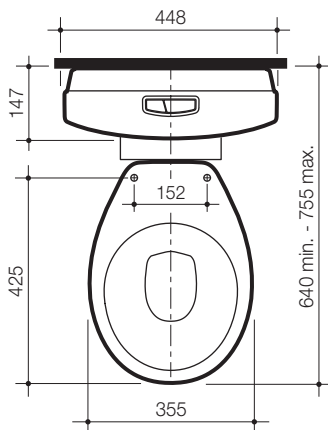
Slimline Concorde

Plastic 4.5/3 litre Dual Flush Connector Toilet Suite



The **Slimline Concorde** connector suite with dual flush integrated plastic cistern and toilet seat with an integrated low profile connection plate to conceal the flush pipe. Due to the substantial water saving benefits achieved by the 4 star 4.5/3 litre dual flush system, the suite is suitable for multi purpose applications and can be used where authorised for septic installations.

- Pan:** **Concorde Concealed** 4.5 litre full flush washdown pan
- Traps:** S-trap (concealed) and P-trap (exposed). Slope of P-trap 95°
- Inlet:** 50mm back inlet. 40mm key seal is available if required.
- Cisterns:** **Slimline** cistern – A one piece injection moulded tank with a well fitting removable lid housing and centrally positioned push buttons.
- Inlet Valve**
Overflow: 50mm back inlet. 40mm kee seal is available if required.
- Seats and Connector Plate:** The **Tasman** standard seat or the **Caravelle** soft close seat and connector plate is supplied with this suite. See chapter 5.01 SEATS of the Caroma Technical Manual for further details.
- Colours:** White only.
- Installation:** The installation of the toilet suite shall be in accordance with the normal minimum drainline grade requirements in AS/NZS 3500.2.
- Dimensions:** All dimensions are in millimetres and are subject to normal manufacturing variations. Caroma pursues a policy of continuing improvement in design and performance of its products. The right is therefore reserved to vary specifications without notice.



Slimline Concorde Connector Toilet Suites	Code No.
P-trap with Tasman Standard Seat	986661W
S-trap with Tasman Standard Seat	986651W
P-trap with Caravelle Soft Close Seat	986661SC
S-trap with Caravelle Soft Close Seat	986651SC

Note: All height dimensions to underside of pan, make allowance for bedding.

Bedding: The pan should be fixed to the floor with a sand cement mixture of 3:1 to a depth of 60mm. Do not use lime or fast drying cement in the bedding mixture. When bedded the back of the foot of the pan should be approximately 10mm above the finished floor.

Screw fixing: The pan should be bedded with an acetic cured silicone sealant and fixed with corrosion resistant screws and pan guard washers. Use Caroma screw fixing kit. Code No.601150.