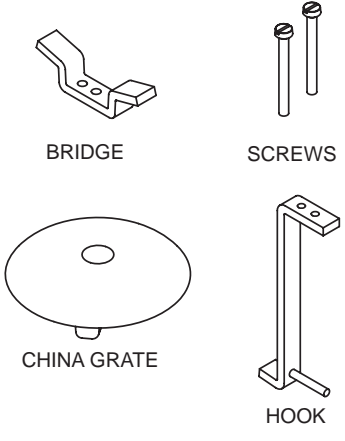
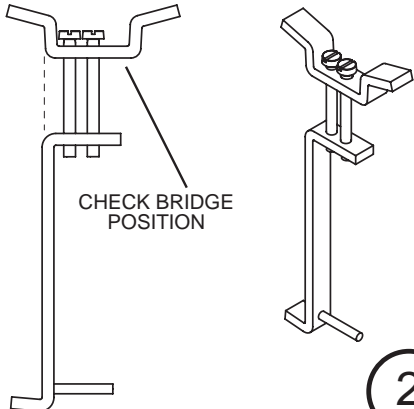
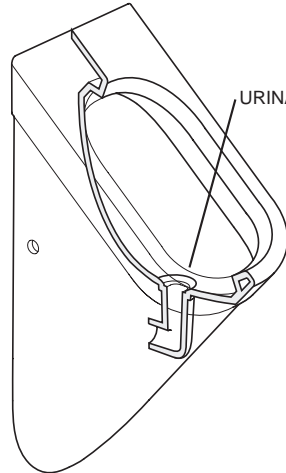
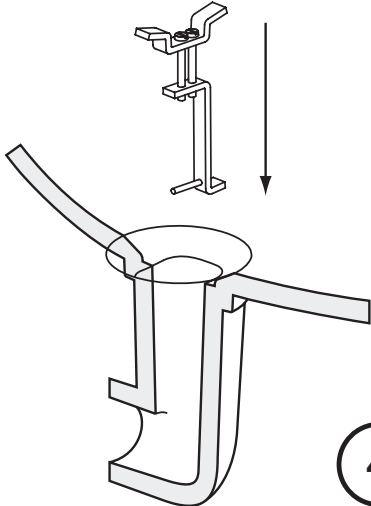
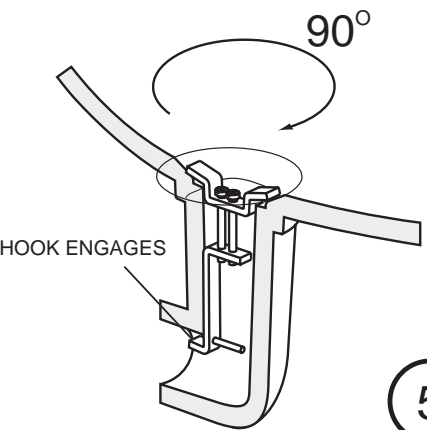
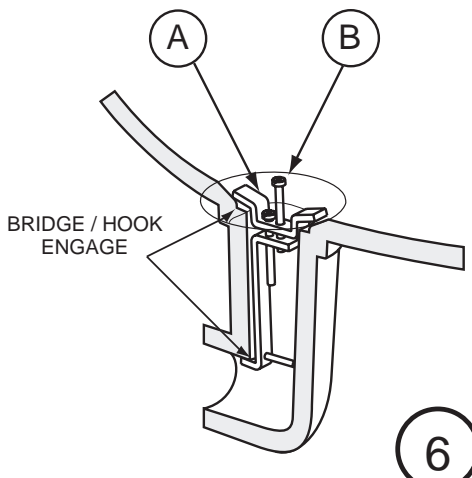
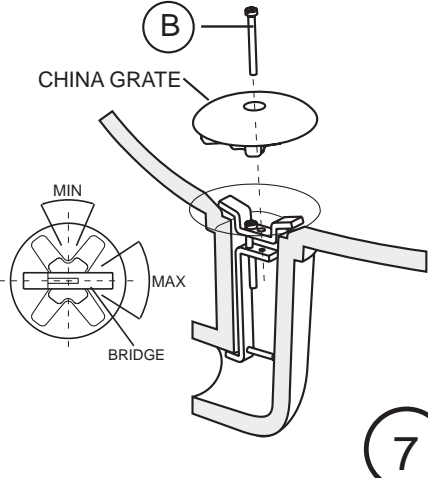
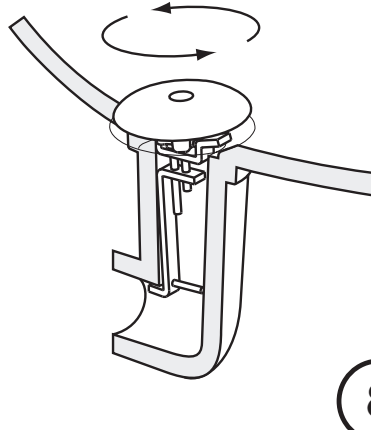


caroma cube³ Anti-Vandal Kit Wall Hung Box Rim Urinal

**INSTALLATION
INSTRUCTIONS**

 <p>BRIDGE</p> <p>SCREWS</p> <p>CHINA GRATE</p> <p>HOOK</p> <p>1</p>	 <p>CHECK BRIDGE POSITION</p> <p>2</p>	 <p>URINAL WASTE</p> <p>3</p>	 <p>4</p>
<p>VANDAL RESISTANT KIT CONTENTS</p>	<p>ASSEMBLE PARTS AS SHOWN</p>	<p>LOCATE URINAL WASTE</p>	<p>INSERT ASSEMBLY AS SHOWN</p>
 <p>90°</p> <p>HOOK ENGAGES</p> <p>5</p>	 <p>A</p> <p>B</p> <p>BRIDGE / HOOK ENGAGE</p> <p>6</p>	 <p>B</p> <p>CHINA GRATE</p> <p>MIN</p> <p>MAX</p> <p>BRIDGE</p> <p>7</p>	 <p>8</p>
<p>ROTATE ASSEMBLY 90 DEGREES AND ENSURE HOOK ENGAGES INTO WASTE</p>	<p>TIGHTEN SCREW A, ENSURING HOOK AND BRIDGE FIRMLY ENGAGE ONTO URINAL. REMOVE SCREW B.</p>	<p>LOCATE GRATE CORRECTLY ONTO BRIDGE. INSERT SCREW B INTO GRATE AND TIGHTEN ONTO ASSEMBLY</p>	<p>CHECK AND ENSURE THAT GRATE IS FIRMLY ATTACHED TO URINAL</p>