

## Concorde Care

### 4.5/3 litre Vitreous China Pan for People with Accessible Applications



A pedestal type 4.5 litre full flush **Concorde Care Pan** installation designed to provide a raised seat height of between 460-480mm for accessible applications. The versatility of the **Concorde Care Pan** makes it ideal for use by both the ambulant people with disabilities and wheel-chair users including wheeled commode chairs.

**Important:** Further reference must be made to **AS 1428.1-2009 with current amendments to determine circulation space, grabrail and installation requirements. The dimensions in this sheet may change with amendments to the standard.**

**Pan:** **Concorde Care Pan** 4.5 litre full flush wash down type.

**Traps:** S and P-trap unvented only. Slope of P-trap 95°. 4.5 litre options: S-trap Code No.614401, P-trap Code No.614451.

**Inlet:** 50mm back inlet.

**Cisterns:** The **Concorde Care Pan** is recommended for use with the **Sovereign Cistern** (wall fix version) and Caroma Care Pushbutton option White – Code No.416020W or Chrome – Code No.687073C or **Cosmo Care Cistern**.

**Buttons:** See section 16.01 for further details

**Seats:** The following seats are recommended: **Pedigree II Care**, **Colani** disabled and **Caravelle Care**, available in Caroma White (W), Sorrento Blue (SB) and Anthracite Grey (AG). See Section 15.01 SEATS for further details.

**Position of the Pan:** For wheel chair access the installed pan must be a minimum of 800 ± 10mm from the front of the pan to the finished wall and provide a seat height of 460 to 480mm. The projection requirements for people with ambulant disabilities is 610 to 660mm.

**Position of the Cistern:** The underside of the cistern must be 600mm minimum from the finished floor. The push button height must be no greater than 1100mm from the finished floor.

**Colours:** White only.

**Installation:** The installation of the toilet suite shall be in accordance with the normal minimum drainline grade requirements in AS/NZS 3500.2.

**Dimensions:** All dimensions are in millimetres and are subject to normal manufacturing variations. Caroma pursues a policy of continuing improvement in design and performance of its products. The right is therefore reserved to vary specifications without notice.

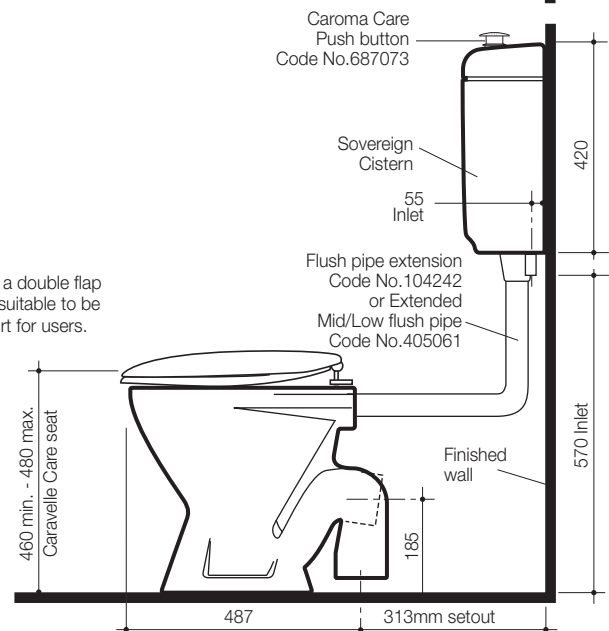
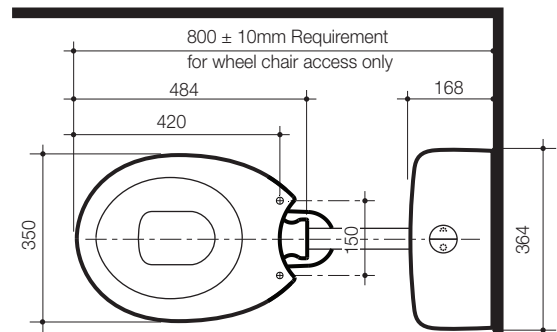
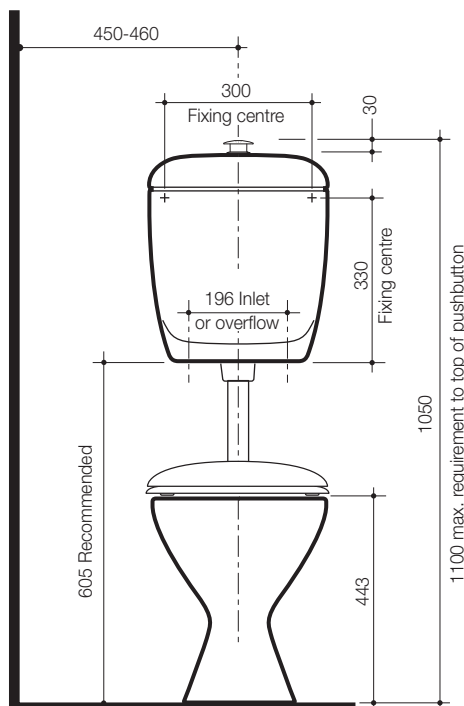


**Note:** The projection requirements detail on this illustration are for wheel chair access only. The projection requirements for people with ambulant disabilities is 610 to 660mm.

All height dimensions to underside of pan, make allowance for mortar bedding.

**Mortar bedding:** The pan should be fixed to the floor with a sand cement mixture of 3:1 to a depth of 60mm. When bedded the back of the foot of the pan should be approximately 10mm above the finished floor.

**Screw fixing:** The pan should be bedded with an acetic cured silicone sealant and fixed with corrosion resistant screws and pan guard washers. Use Caroma pan fixing kit. Code No.601150.



**Note:** The lid on a double flap toilet seat is not suitable to be used as a support for users.