



Revision: 0
Date: 06/10/2021

# Liano II 440

**Ceramic Under/Over Counter Vanity Basin**

Nominal Size: 440mm diameter



# Liano II 440



Basin pictured in Gloss White (W) colour option. Pictured with Liano II basin mixer (not included). Under-counter installation shown above.

The Liano II Basin range is a collection of fashionable basins that allow you to select a style and colour finish to suit your own personal taste, but also delivers to your functional needs. Available in popular round and pill shapes with contemporary thin rim design and in a range of matte colour finishes, the Liano II basin range is the collection you need to make a statement in your bathroom. Optional pop-up plug & wastes and new dress rings are available in Chrome, Matte Black, PVD Brushed Nickel, PVD Brushed Brass and PVD Gunmetal to match with Liano II tapware. The basin is suitable for general purpose, domestic and commercial applications.

**Tap Holes:** Basin available in: No tapholes Code No.852600.

**Waste Outlet:** The basin has been designed and supplied with an integrated waste with a ceramic pop up waste cap matched to the basin colour. Optional wastes are available with ceramic waste caps in 6 finishes, Gloss White (W)\*, Matte Green (MG), Matte Grey (MGR), Matte Pink (MP), Matte Speckled (MS), Matte Black (MB) and Matte White (MW). Code No.687350. \*Gloss White (W) option Code No.687330AW.

To colour match to tapware and bottle trap, optional wastes are available with brass waste caps in 5 finishes, Black (B), Brushed Brass (BB), Brushed Nickel (BN), Chrome (C) and Gunmetal Grey (GM). Code No.687330.

**Bowl Capacity:** 4.9 litres to overflow.

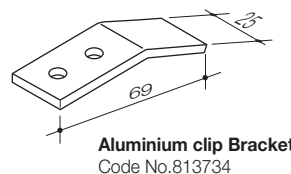
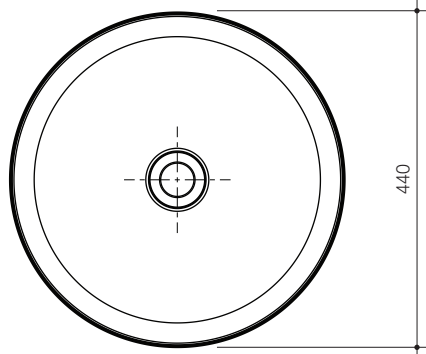
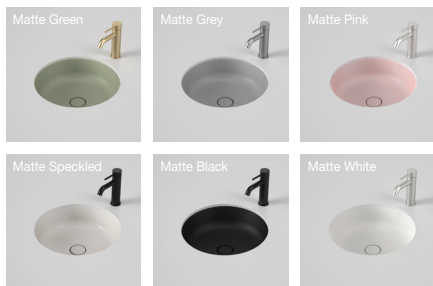
**Overflow:** Overflow available only. Designed for maximum tap flow rate of 15 litres/minute.

**Fixing:** The underside of the basin rim must be sealed to the counter top with an acetic cured silicone sealant. **Epoxy type glues must not be used.** The basin is supplied with a template which must be used for the counter top cut-out.

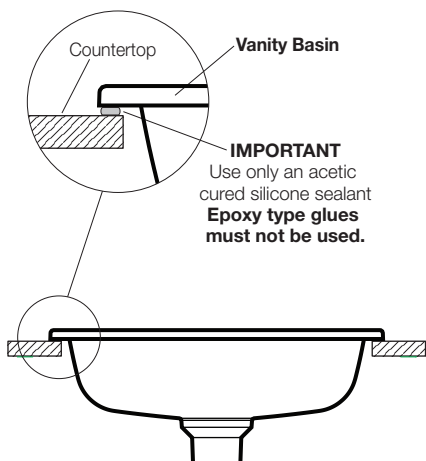
**Colours:** Gloss White (W), Matte Green (MG), Matte Grey (MGR), Matte Pink (MP), Matte Speckled (MS), Matte Black (MB) and Matte White (MW).

**Dimensions:** All dimensions are in millimetres and are subject to normal manufacturing variations. Caroma pursues a policy of continuing improvement in design and performance of its products. The right is therefore reserved to vary specifications without notice.

## Other Basin Colour Options:



### Over-Counter Fixing



### Under-Counter Fixing

