

Product information sheet FONTAS II Filter

Item no. 525097

Benefits



- Comfortable 3 in 1 mixer tap with cold and warm water lever on the right, filtered water lever on the left
- Separate water circuit with extra spout for filtered water – no mixture with mains water
- Space-saving and practical: with the 3 in 1 tap no additional drilling is required for filtered water supply
- Spout can be swivelled through 360° for greater cover
- Surface finishes to perfectly match sinks and bowls: Colour versions for coloured SILGRANIT models
- Needs to be installed with a water filter system

Colours



Available colours:

anthracite

white

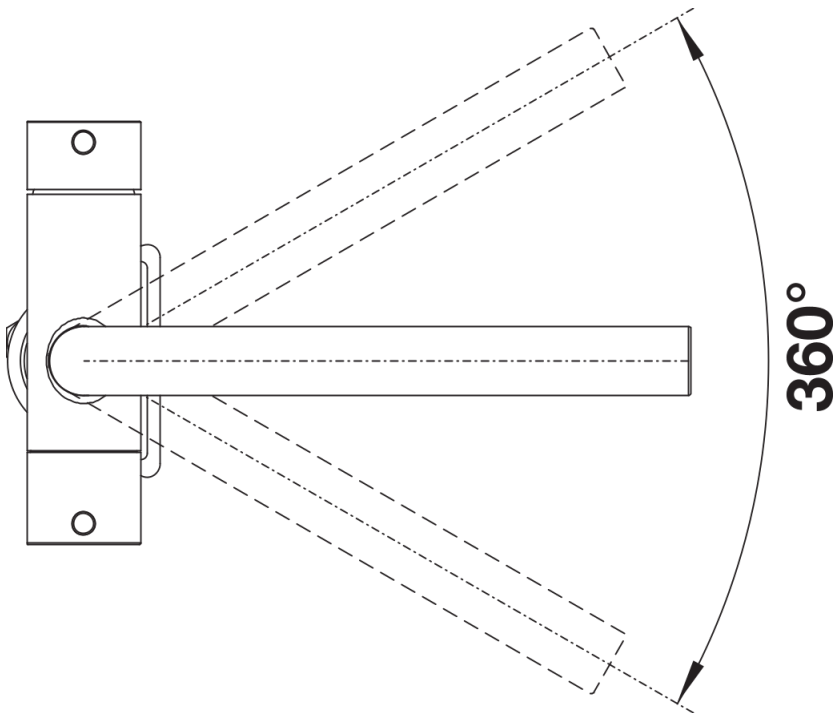
SILGRANIT-Look white

Scope of supply

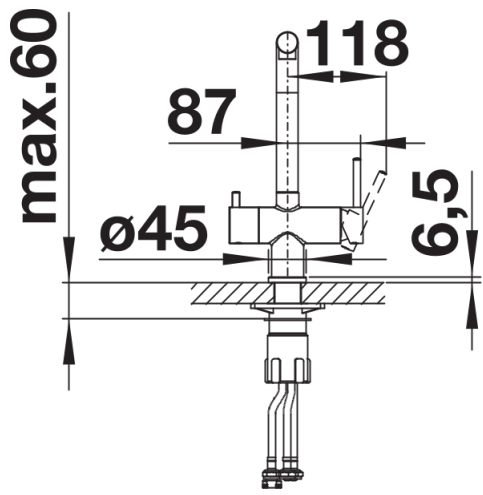
Mixer tap:

- 360° swivel spout for greater reach
 - Ø 35 mm tap hole required
 - With ceramic disk cartridge
 - Flexible connector pipes, 680 mm long and ½" nut for particularly easy and safe installation
 - Patented jet regulator for markedly reduced scaling
 - Stabilisation plate to increase the stability of the tap when fitted in stainless steel sinks
 - With non-return valve and thus guaranteed against reflux in accordance with EN 1717
- Filter system not included.

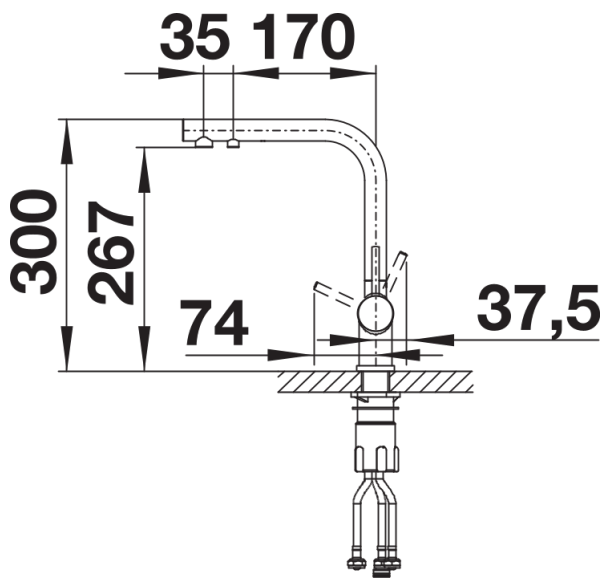
Details



Swivel range



Side view hand gear 2D



Side view