
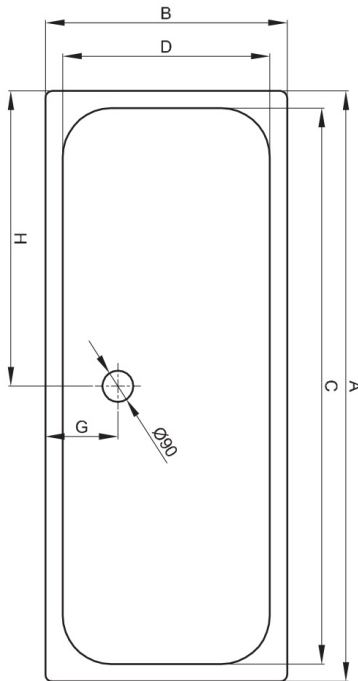


BETTE

BETTE RECTANGULAR 1700 SHOWER TRAY

Product Image							Technical Specification		
									
dimension	A	B	C	D	G	H	article no.	drain	
170 x 90 x 3,5 cm	1700	900	1600	800	210	850	5998	Ø 90	

Description
<p>Bette Rectangular 1700 Shower Tray</p> <p>B5998B</p>

Additional Information
<p>Available options:</p> <p>9WA003C 80 to 50mm Waste Set</p> <ul style="list-style-type: none"> • Includes Tiling Lip • Waste Not Included <p>Important Installation Note: Clearance required under shower tray to fit Bette or other shower waste will vary depending on installation – please see detailed installation instructions at www.argentaust.com.au or call the Argent Tech Hotline on 1800 356 717</p>

