
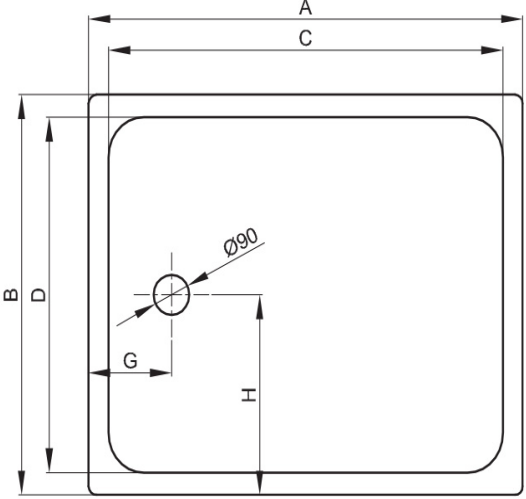


BETTE

BETTE SQUARE 1000 SHOWER TRAY

Product Image		Technical Specification	
			
dimension	A B C D E G H	article no.	drain
100 x 100 x 2,5 cm	1000 1000 900 900 25 210 500	5940	Ø 90

Description
Bette Square 1000 Shower Tray B5940B

Additional Information
Available options: 9WA003C 80 to 50mm Waste Set
<ul style="list-style-type: none"> • Includes Tiling Lip • Waste Not Included
Important Installation Note: Clearance required under shower tray to fit Bette or other shower waste will vary depending on installation – please see detailed installation instructions at www.argentaust.com.au or call the Argent Tech Hotline on 1800 356 717

