



OP8687A

Built-in pyrolytic oven

Installation type: Built-in
 Range: Craft
 Available colour: Anthracite
 Product dimensions (HxWxD): 59,5 × 59,5 × 54,6 cm
 5 Air Flow System, Oven volume - 71 L, Pyrolytic Self Clean, 2 level telescopic fully extendable, Auto Roast, Defrost, Eco



5 Air Flow System



71 L Oven volume - 71 L



P Pyrolytic Self Clean



2 2 level telescopic fully extendable



A Auto Roast



***** Defrost



ECO Eco

Construction & Performance

- Hot air convection
- Maximum oven temperature: 300 °C
- Meat probe



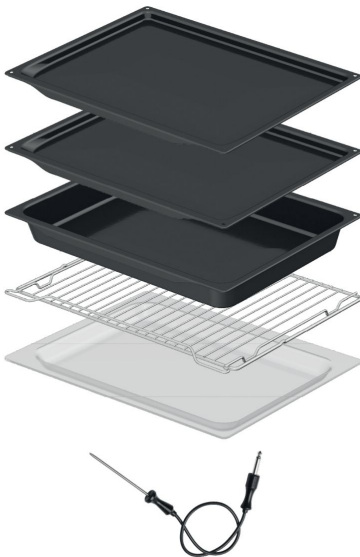
Use & Flexibility

- Oven lighting: Both sides
- Oven useful volume (old energy label): 71 l
- OpenView
- Fully extendible guides
- 1x wire guides
- Two levels fully extendable telescopic guides
- Number of trays and grids: 5
- Grid
- Glass frying pan(s)
- 1 deep tray
- 2 shallow trays

Interaction & Control

- Digital display
- Full colour display
- Knob shape: Ergonomical dials

Standard accessories



Programs, options and modes

- Number of oven functions: 18
- Number of cooking programs: 82
- Lower heater
- Lower heater BIO
- Upper Heater
- Lower and upper heater
- Small infra heater
- Large Infra Heater
- Large infra heater with ventilation
- Circular heater
- Eco-function
- Lower heater and fan
- Lower heater with fan BIO
- Defrost cooker
- WarmPlate
- StayWarm function
- Fast Preheat
- STEPBake
- Auto roast function

Design & Integration

- Door material: Stainless steel and glass
- Available colour: Anthracite
- Touch Free Inox
- Tinted door glass
- Integrated side trims
- Niche dimensions (HxWxD): 59 × 56 × 55 cm

Safety & Maintenance

ASKO Appliances Pty Ltd - 35 Sunmore Close - MOORABBIN VIC 3189
 Phone: 1300 00 2756 - Fax: 03 8551 2220
 Email Address: sales@asko.com.au - <https://au.asko.com/>

ASKO
 Inspired by Scandinavia

- Dynamic oven cooling plus - DC+
- GentleClose door hinge
- Removable flat oven inner door glass surface
- Pyrolytic cleaning
- Pyroproof side racks

Technical data

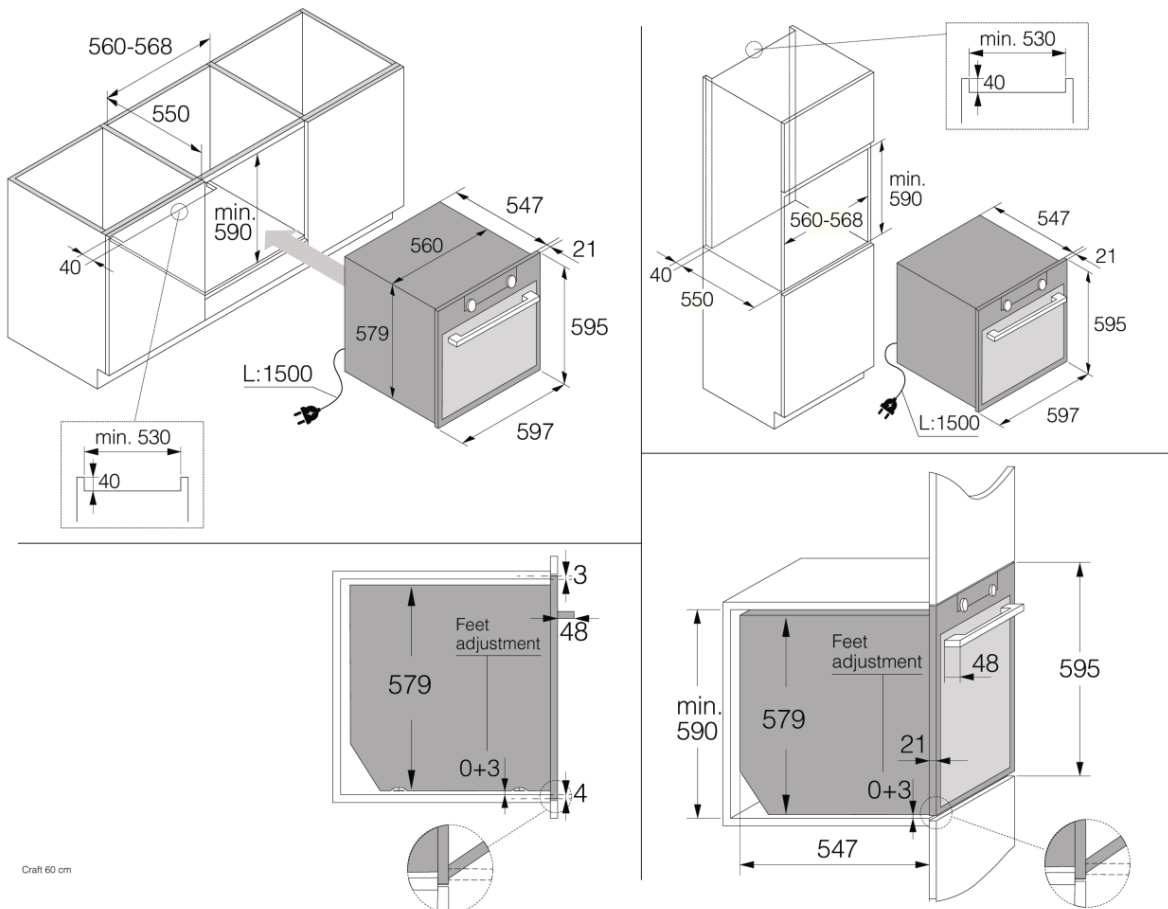
- Consumption in standby mode: 1 W
- Energy class: A+
- Oven consumption (conventional operation): 1 kWh
- Oven consumption (venting operation): 0,69 kWh
- Energy consumption conventional oven (old energy label): 0,94 kWh
- Energy consumption forced air assisted oven (old energy label): 0,69 kWh
- Connection rating: 3400 W
- Frequency: 50 Hz

Dimensions

- Product dimensions (HxWxD): 59,5 × 59,5 × 54,6 cm
- Net weight: 45,3 kg

Logistic information

- Dimensions of packed product (HxWxD): 70 × 66 × 70 cm
- Gross weight: 50,5 kg
- Product code: 500174
- EAN code: 3838942103551
- Product area: Kitchen
- Market: Domestic
- Range: Craft



Craft 60 cm