



OCS8487S

Installation type: Built-in
 Range: Craft
 Available colour: Stainless Steel
 Product dimensions (HxWxD): 45,5 × 59,5 × 54,6 cm
 5 Air Flow System, Pure steam system, Oven volume 50l, Aqua Clean, Steam clean, 1 level telescopic fully extendable, SousVide, Auto Roast, Defrost, Eco



5 Air Flow System



Pure steam system



50 LITRE Oven volume 50l



Aqua Clean



Steam clean



1 level telescopic fully extendable



SousVide



Auto Roast



Defrost



ECO Eco



Construction & Performance

- Hot air convection
- Maximum oven temperature: 230 °C
- Meat probe
- Multi Steam 360

Use & Flexibility

- Oven lighting: Both sides
- Water container: 1,3 l
- Oven useful volume (old energy label): 50 l
- OpenView
- Fully extendable guides
- Fully extendable telescopic guides on one level with stop function
- Number of trays and grids: 4
- Grid
- Steam tray
- 1 full width perforated steam tray
- 1 Shallow tray

Interaction & Control

- Digital display
- Full colour display
- Knob shape: Ergonomical dials
- TFT display

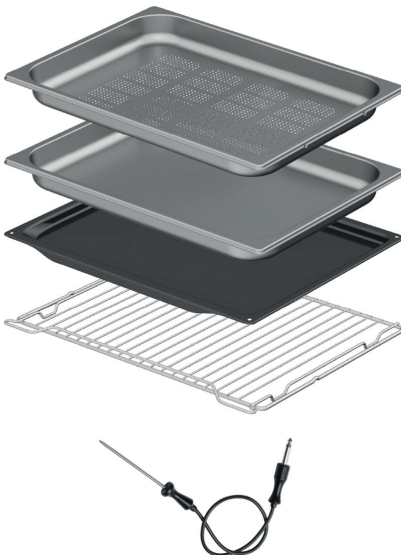
Programs, options and modes

- Number of oven functions: 19
- Number of cooking programs: 160
- Lower heater BIO
- Upper Heater
- Lower and upper heater
- Small infra heater
- Large Infra Heater
- Large infra heater with ventilation
- Circular heater
- Eco-function
- Lower heater and fan
- Lower heater with fan BIO
- Strong steam
- Medium steam
- Low steam
- Steam baking
- SousVide
- Defrost cooker
- WarmPlate
- StayWarm function
- Fast Preheat
- STEPBake
- Auto roast function

Design & Integration

- Door material: Glass

Standard accessories



- Available colour: Stainless Steel
 - Touch Free Inox
 - Tinted door glass
 - Integrated side trims
 - Adjustable feet: 4
 - Niche dimensions (HxWxD): 45 × 56 × 55 cm
-

Safety & Maintenance

- Dynamic oven cooling plus - DC+
 - Soft open and gentle close door hinge
 - Removable flat oven inner door glass surface
 - AquaClean function
 - Steam cleaning
 - SousVide
 - Descaling
-

Technical data

- Consumption in standby mode: 1 W
 - Energy class: A+
 - Oven consumption (conventional operation): 0,82 kWh
 - Oven consumption (venting operation): 0,62 kWh
 - Energy consumption conventional oven (old energy label): 0,82 kWh
 - Energy consumption forced air assisted oven (old energy label): 0,62 kWh
 - Connection rating: 2900 W
 - Nominal current: 16 amp
 - Frequency: 50 Hz
-

Dimensions

- Product dimensions (HxWxD): 45,5 × 59,5 × 54,6 cm
 - Length electrical cord: 1,5 m
 - Net weight: 36,4 kg
-

Logistic information

- Dimensions of packed product (HxWxD): 55 × 66 × 70 cm
 - Gross weight: 41,1 kg
 - Product code: 500351
 - EAN code: 3838942106620
 - Product area: Kitchen
 - Market: Domestic
 - Range: Craft
-

