



# OP8678G

## Built-in pyrolytic oven

Installation type: Built-in  
 Range: Elements  
 Available colour: Black  
 Product dimensions (HxWxD): 59,5 × 59,5 × 54,6 cm  
 5 Air Flow System, Oven volume - 71 L, Pyrolytic Self Clean, 3 telescopic fully extendable, Auto Roast, Defrost, Eco



**5 Air Flow System**



**Oven volume - 71 L**



**Pyrolytic Self Clean**



**3 telescopic fully extendable**



**Auto Roast**



**Defrost**

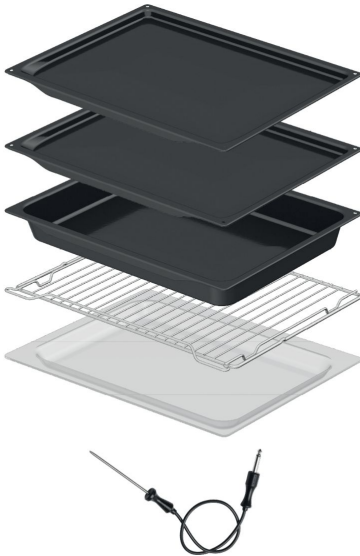


**Eco**

### Construction & Performance

- Hot air convection
- Maximum oven temperature: 300 °C
- Meat probe

### Standard accessories



### Use & Flexibility

- Oven lighting: Both sides
- Oven useful volume (old energy label): 71 l
- OpenView
- Fully extendable guides
- Three levels of fully extendable telescopic guides
- Number of trays and grids: 5
- Grid
- Glass frying pan(s)
- 1 deep tray
- 2 shallow trays

### Interaction & Control

- Digital display
- Full colour display
- Touch screen
- TFT Pyro Magna

### Programs, options and modes

- Number of oven functions: 19
- Number of cooking programs: 87
- Lower heater
- Lower heater BIO
- Upper Heater
- Lower and upper heater
- Small infra heater
- Large Infra Heater
- Large infra heater with ventilation
- Circular heater
- Eco-function
- Lower heater and fan
- Lower heater with fan BIO
- Defrost cooker
- WarmPlate
- StayWarm function
- Fast Preheat
- STEPBake
- Auto roast function

### Design & Integration

- Door material: Glass
- Available colour: Black
- Tinted door glass
- Integrated side trims
- Niche dimensions (HxWxD): 59 × 56,4 × 55 cm

### Safety & Maintenance

- Dynamic oven cooling plus - DC+

- GentleClose door hinge
- Removable flat oven inner door glass surface
- Pyrolytic cleaning
- Pyroproof side racks

#### Technical data

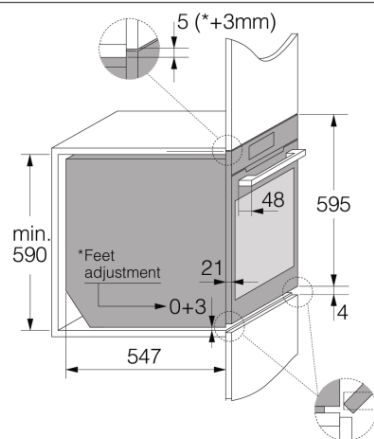
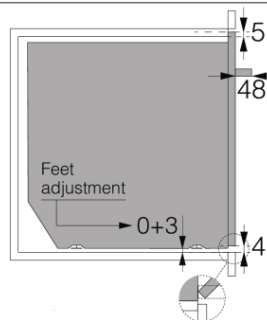
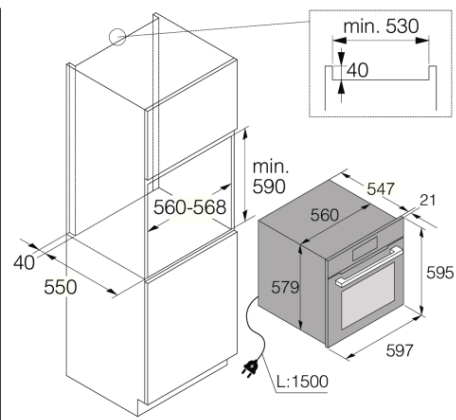
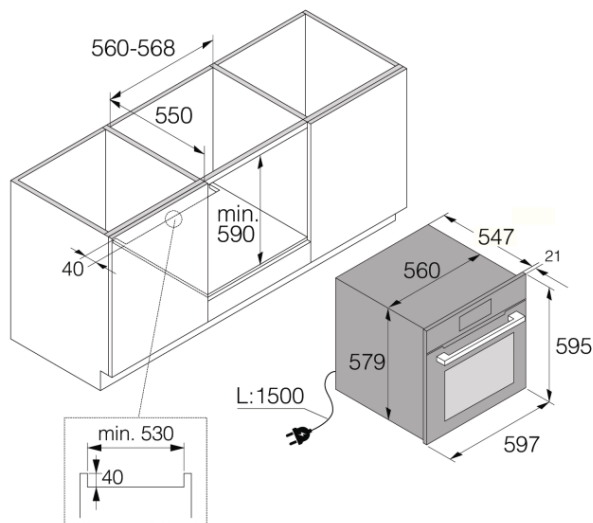
- Consumption in standby mode: 1 W
- Energy class: A+
- Oven consumption (conventional operation): 1 kWh
- Oven consumption (venting operation): 0,69 kWh
- Energy consumption conventional oven (old energy label): 0,94 kWh
- Energy consumption forced air assisted oven (old energy label): 0,69 kWh
- Connection rating: 3400 W
- Frequency: 50 Hz

#### Dimensions

- Product dimensions (HxWxD): 59,5 × 59,5 × 54,6 cm
- Net weight: 46,1 kg

#### Logistic information

- Dimensions of packed product (HxWxD): 70 × 66 × 70 cm
- Gross weight: 51,3 kg
- Product code: 507867
- EAN code: 3838942072949
- Product area: Kitchen
- Market: Domestic
- Range: Elements



Elements 60 cm