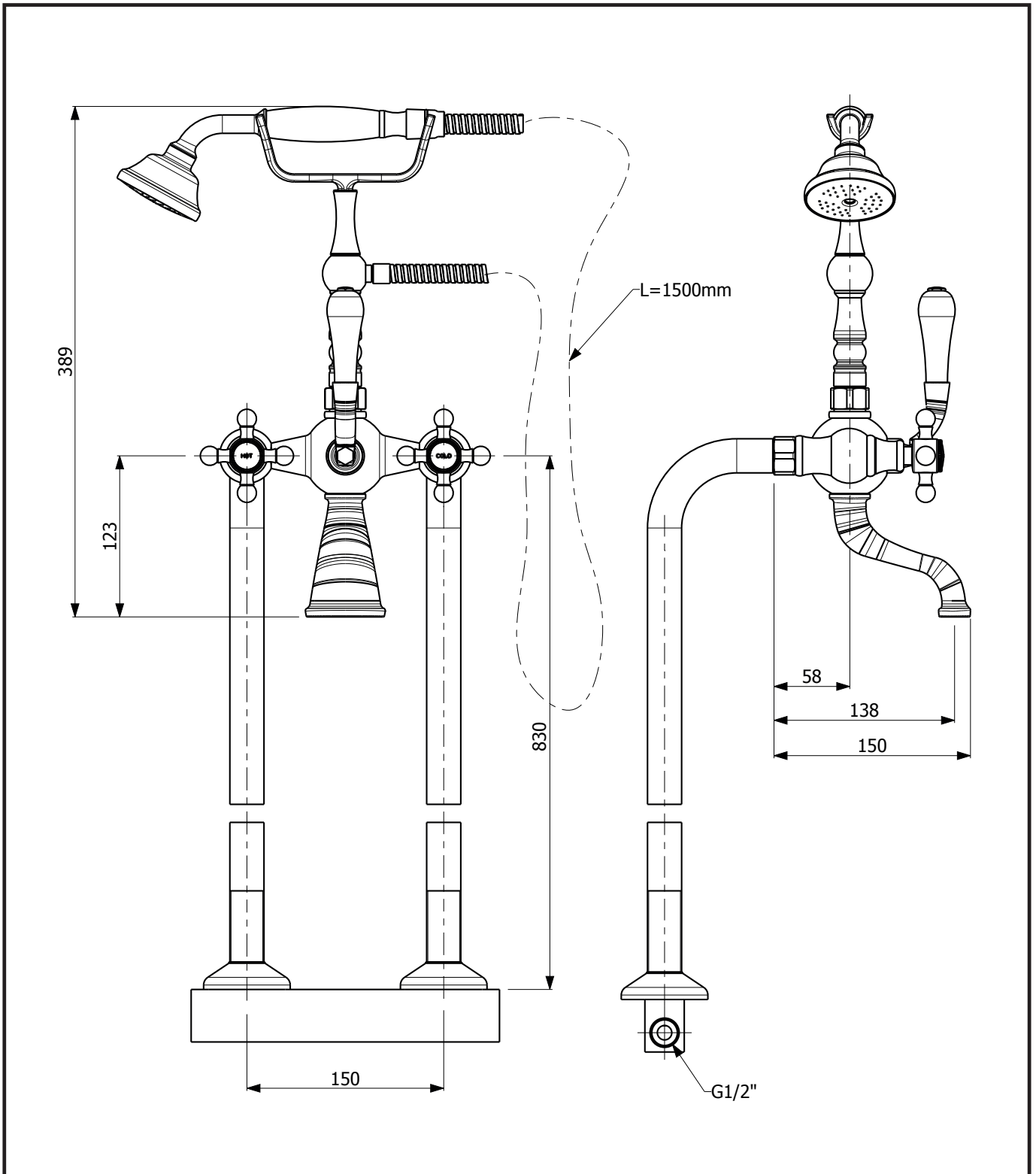


Dimensions Abmessungen Dimensioni Dimensions



Installation shall be in accordance with the AS/NZ3500 series of Standards.