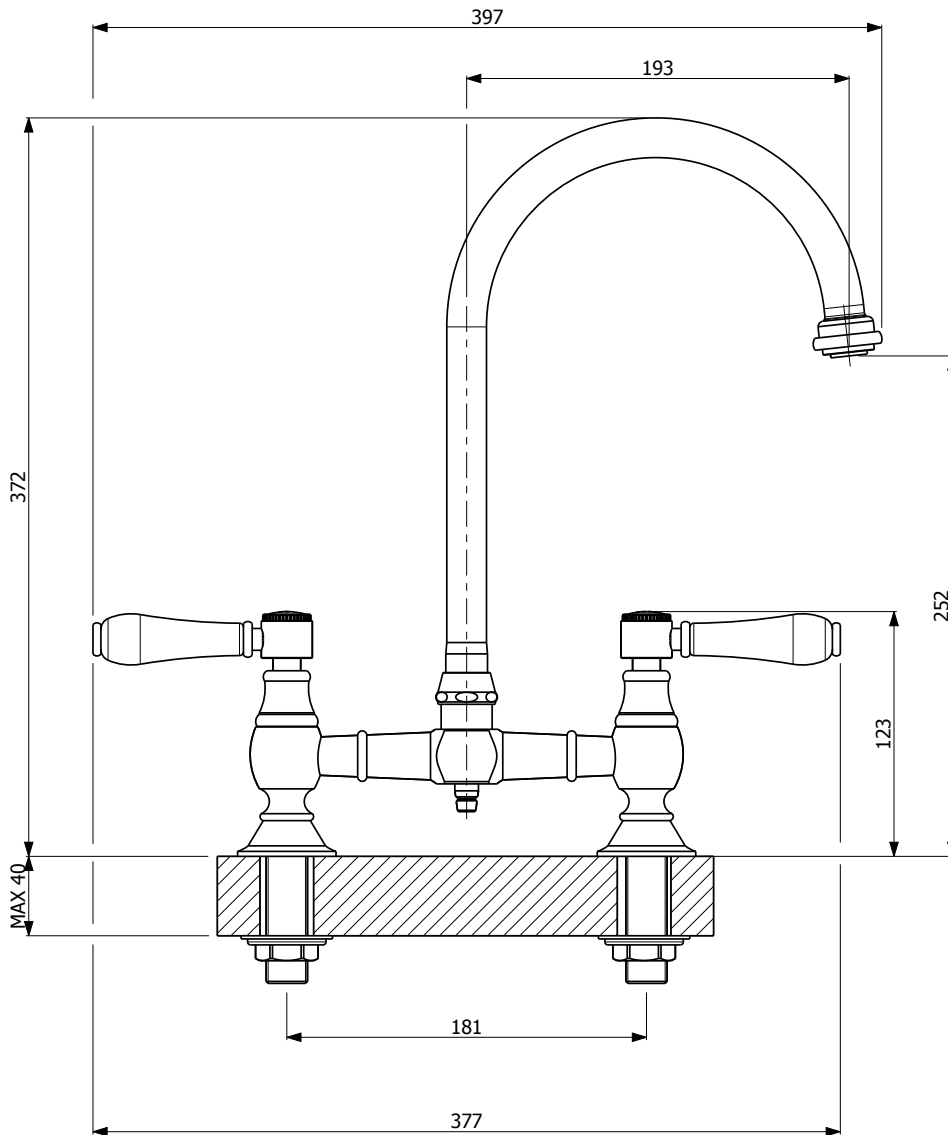


400160

PROVINCIAL EXPOSED BREECH KITCHEN TAP

WELS Rating 4 Star 7.5L/min

WELS Registration #T25199 (Chrome) #T25199(v) (Finishes)



AVAILABLE IN



400160
(CHROME)



400160-BN
(BRUSHED NICKEL)



400160-BR
(BRONZE)