
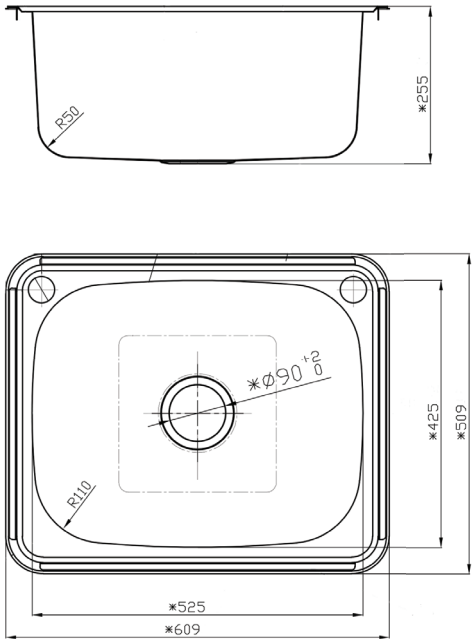








FORMAT 610 LAUNDRY SINK

Product Image	Technical Specification
	
<p>AW100</p>  <p>A</p>	<p>KS4061102</p>  <p>KS406114LB</p>  <p>KS406112RB</p> 

Description	
Format 610 Laundry Sink	
KS4061102	2 x 40mm Bypass holes + Standard Bypass
KS406114LB	Left Hand Tap Hole + Sidewall Bypass
KS406112RB	Right Hand Tap Hole + Sidewall Bypass

Additional Information
<ul style="list-style-type: none"> • Rolled Edge • 304 Stainless Steel Silk Mid Level Polish • Topmount only • 45 Litre Capacity • Suits 600 Carcass or larger
<p>INSTALLATION DISCLAIMER</p> <p>ALL TEMPLATES, LINE DRAWINGS & ELECTRONIC FILES ARE SUPPLIED AS A GUIDE ONLY. PLEASE CROSS CHECK WITH ACTUAL BOWL BEFORE COMMENCING ANY CUTOUT AND ENSURE RADII ARE SUITABLE TO BENCHTOP MATERIAL TOLERANCES. ARGENT ACCEPTS NO RESPONSIBILITY FOR CUTOUT ERRORS.</p>

