




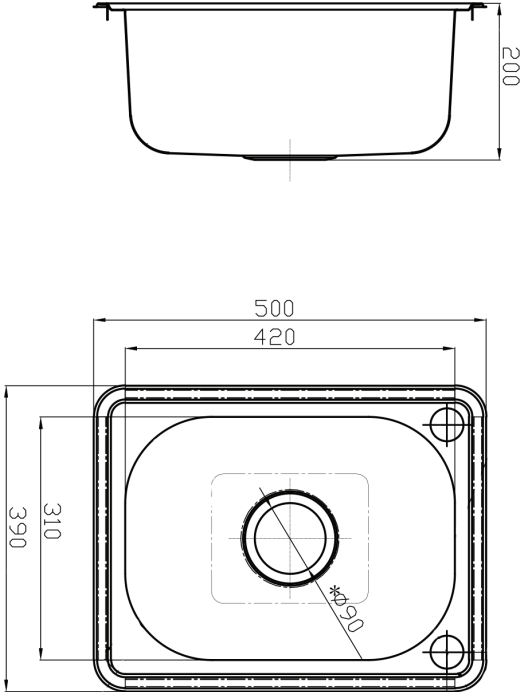




FORMAT 390 LAUNDRY SINK

Product Image	Technical Specification
 <div style="display: flex; justify-content: space-around; margin-top: 10px;"> <div style="text-align: center;"> <p>AW100</p>  <p>A</p> </div> <div style="text-align: center;"> <p>KS4035102</p>  </div> <div style="text-align: center;"> <p>KS4035106LB</p>  </div> <div style="text-align: center;"> <p>KS4035108RB</p>  </div> </div>	

Description	
Format 390 Laundry Sink	
KS4035102	2 x 42mm holes on *Short side with Standard Bypass
KS4035106LB	35mm 1TH LH *Short side with Sidewall Bypass
KS4035108RB	35mm 1TH RH *Short side with Sidewall Bypass
KS4035100	No TapHole

Additional Information
<ul style="list-style-type: none"> • 30 Litre Capacity • 304 Stainless Steel Silk Mid Level Polish • Suits 500 Carcass or larger • Topmount only
<p>INSTALLATION DISCLAIMER ALL TEMPLATES, LINE DRAWINGS & ELECTRONIC FILES ARE SUPPLIED AS A GUIDE ONLY. PLEASE CROSS CHECK WITH ACTUAL BOWL BEFORE COMMENCING ANY CUTOUT AND ENSURE RADII ARE SUITABLE TO BENCHTOP MATERIAL TOLERANCES. ARGENT ACCEPTS NO RESPONSIBILITY FOR CUTOUT ERRORS.</p>

