
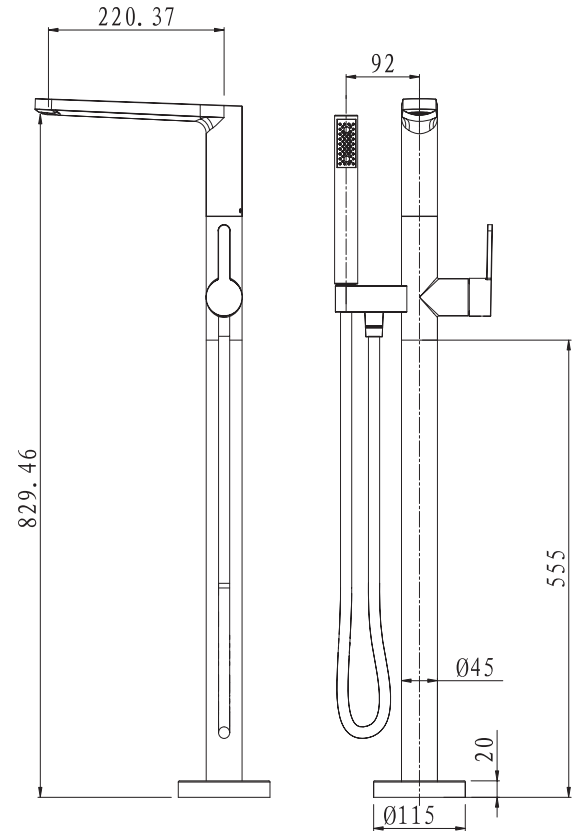






LOFT BATH FILLER WITH HAND SHOWER

Product Image	Technical Specification
	

Description
<p>Loft Floor Mounted Bath Filler with Hand Shower</p> <p>WELS 3 Star / 9 Lpm</p> <p>FM3683801 Loft Bath Filler with Hand Shower FM2963801 Universal Floor Mounted Bath Filler Body</p>

Additional Information
<ul style="list-style-type: none"> • 35mm Sequential action cartridge • 15 Year Warranty* • 1.2m Hose <div style="display: flex; justify-content: space-around; align-items: center;">   </div>

