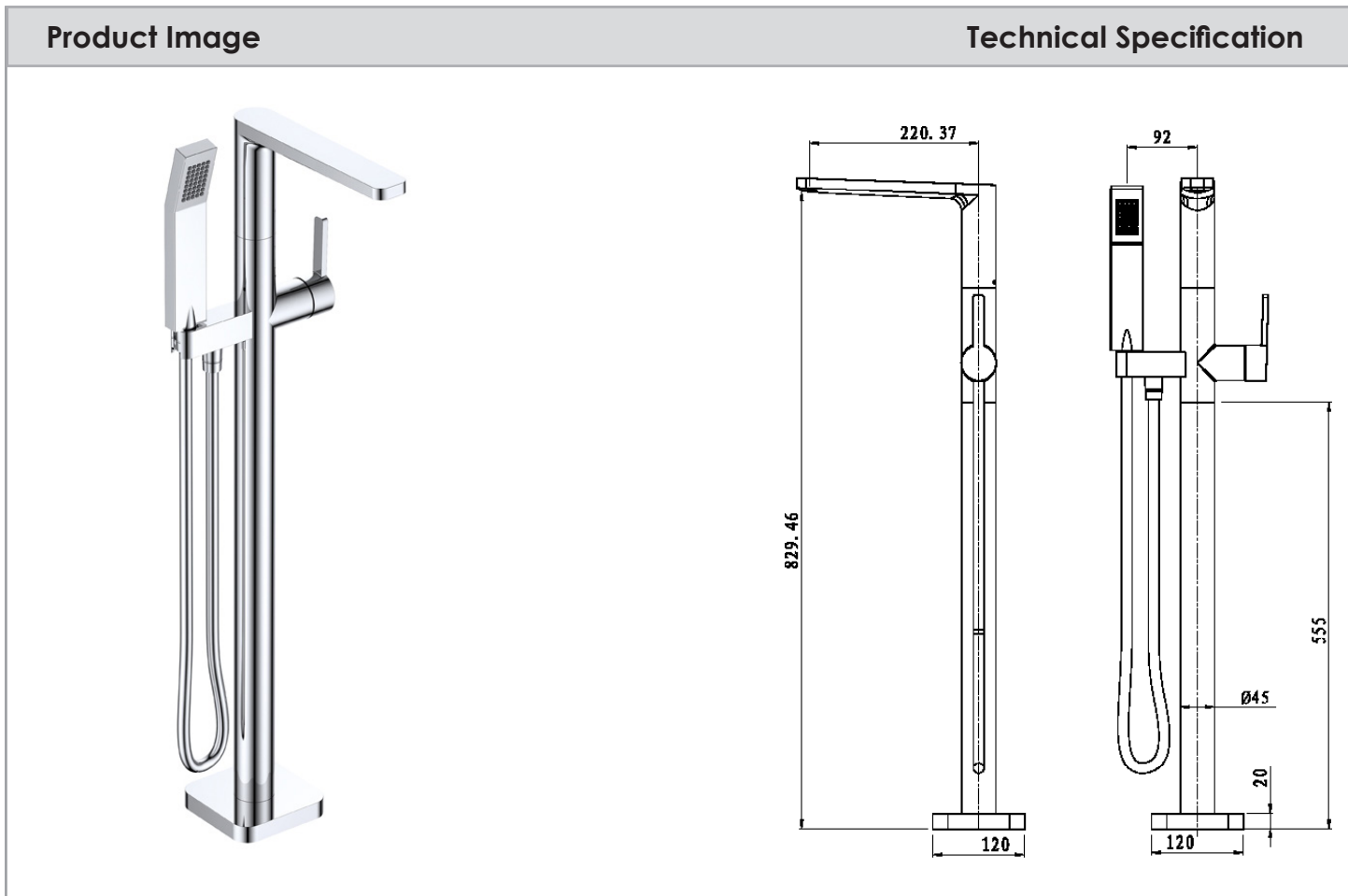




KUBIC BATH FILLER WITH HAND SHOWER



Description

Kubic Floor Mounted Bath Filler with Hand Shower

WELS 3 Star / 9 Lpm

FM3693801 Kubic Bath Filler with Hand Shower
FM2963801 Universal Floor Mounted Bath Filler Body

Additional Information

- 35mm Sequential action cartridge
- 15 Year Warranty*
- 1.2m Hose

