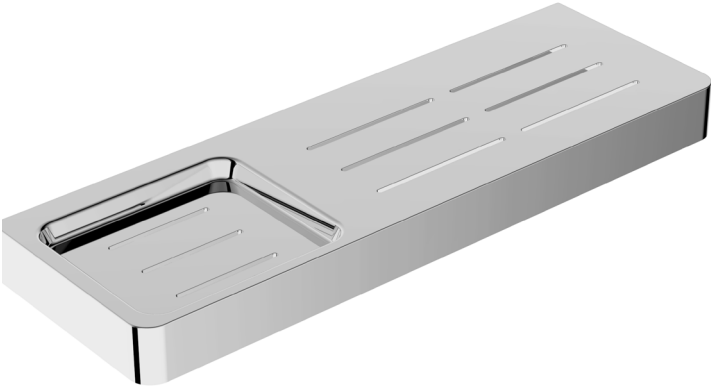
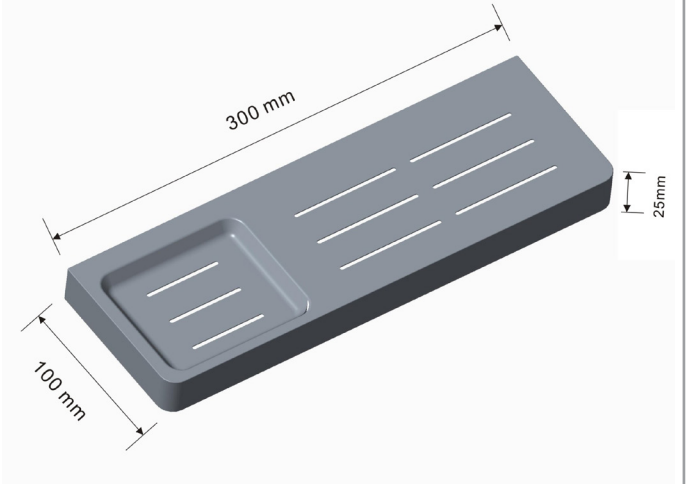




MONDRIAN NEU SHOWER SHELF

Product Image	Technical Specification
	

Description
<p>Mondrian Neu Shower Shelf</p> <p>AR93611D Chrome AR93611DMB Matte Black AR93611DBN Brushed Nickel</p>

Additional Information
<ul style="list-style-type: none"> • 5 year warranty • Dual Fixing

