
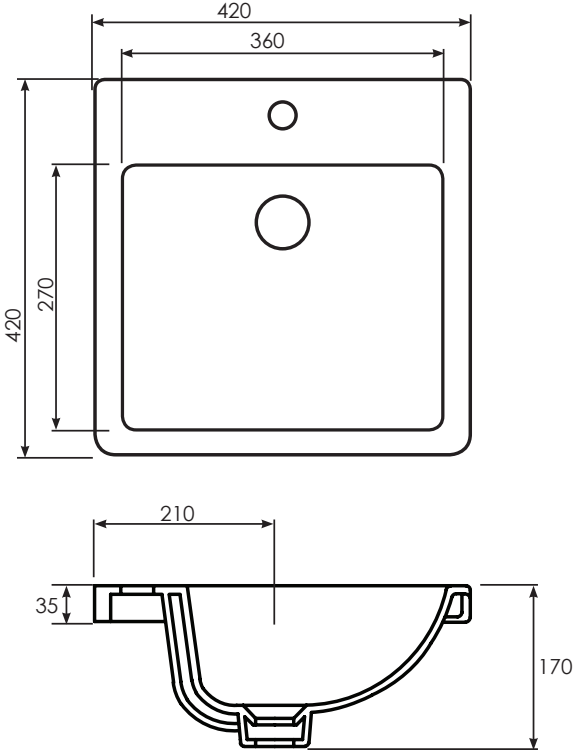




## ZEN 420 DROP-IN BASIN

Product Image	Technical Specification
	

Description	Additional Information
<p>Zen 420 Drop-In Basin</p> <p><b>FC28TUL01</b>      1 Tap Hole</p>	<ul style="list-style-type: none"> <li>• OD 420 x 420mm</li> <li>• Recommended Waste K316-D</li> </ul>

