



# Advantage Care 870 X 700 140 degree Grab Rail

Right Hand

**Product Image**

**Product Details**



**Code:** 427087RH  
**Brand:** Argent  
**Range:** Advantage  
**Warranty:** 5 Years\*  
**WELS:** N/A

**Additional Features**

**Technical Specification**

**Required Product**

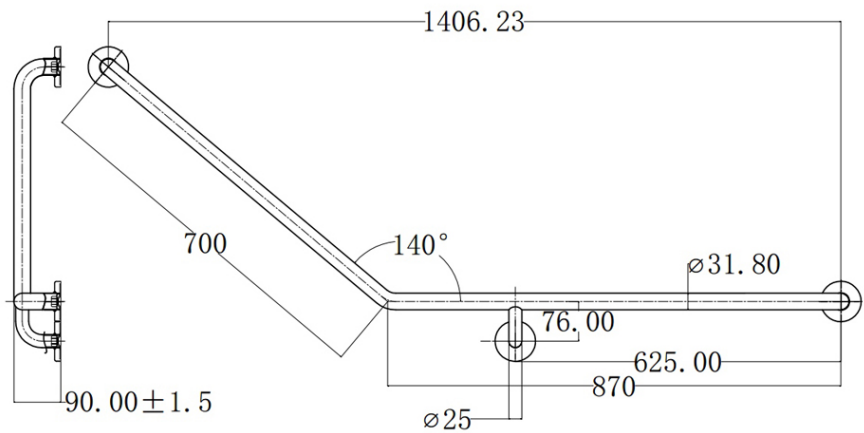
**Recommended Products**

**Additional Notes**

- AdvantageSeal Flange
- Manufactured From 304 SS

**Installation Instructions**

\* Grab Rails to be installed to AS1428.1-2009 & AS3500 compliance requirements



\*Please visit [argentaust.com.au/warranty](http://argentaust.com.au/warranty) to view the full warranty

Note: All dimensions are in millimetres and are subject to normal manufacturing variations. Always use the physical product measurements for cut-outs and rough-ins as the technical details shown may differ from the actual product. Use acetic cured silicone sealant. Do not use epoxy type adhesives. Clean with damp cloth. Do not use abrasive cleaners, liquids or pastes.

