

**60cm stainless steel built-under dishwasher with ComfortLift™ basket, 8 programs, 14 place settings, inverter motor, SoftGrip and ProClean™ satellite spray arm to deliver superior glass care.**



## Product Details

### FEATURES

<p><b>AirDry</b> AirDry uses natural airflow for better drying.</p>	<p><b>ComfortLift™</b> Designed around your needs to unload more efficiently and stack more effectively.</p>	<p><b>ComfortRails</b> Smoothly slide the baskets into place</p>	<p>14 place setting</p>
<p><b>Satellite Spray Arm</b> Comprehensive cleaning, leaving no corner untouched.</p>	<p><b>AUTO Sense program</b> This advanced function uses multiple sensors to measure the load size and soil level of dishes and gives the best possible wash performance ensuring efficient time, water and energy consumption.</p>	<p><b>ProZone</b> adapts to each item Ideal for washing mixed loads in one go where you can load the lower basket with heavily soiled pots and pans, and place delicate glassware in the top basket.</p>	<p><b>Extra tall tub for large items</b> With an XXL tall tub, you'll find an extra 4cm of internal height to load larger and unconventional shaped items.</p>
<p><b>TimeSaver</b> To decrease selected wash program duration by approximately 50%, without sacrificing the wash result.</p>	<p><b>Quick 30 minutes 60 C program</b></p>	<p><b>Time Beam</b> Projects the remaining wash time onto the floor so you can tell when your machine is running and when its finished.</p>	<p>Removable cutlery drawer</p>
<p><b>XtraDry</b></p>	<p><b>FlexiLift basket</b> Adjusting the upper basket position is easy, even when fully loaded.</p>	<p><b>My Favourite</b></p>	<p><b>Aqua Control</b></p>
<p><b>AutoOff</b></p>			

### BENEFITS

## A new level of perfection

Our ComfortLift™ dishwasher lets you gently slide and lift the lower basket upwards. With a dishwasher designed around your needs, you can unload more efficiently and stack more effectively. With ComfortLift we've elevated dishwashing to a whole new level.

---

## ALWAYS GENTLE ON YOUR DISHES

With ComfortRails you can smoothly slide the basket into place without any rattle of the dishes meaning you never have to worry about damaged glasses again. Always smooth to load and unload.

---

## Superior glass care

The glass program in combination with SoftGrip and SoftSpikes protects all glassware from scratches and breakages, leaving them sparkling clean.

---

## Drying naturally

Our AirDry technology lets you maximise your drying performance with natural airflow. The door automatically opens up 10 cm when the cycle is complete. It dries your dishes naturally meaning spotless glasses every time.

---

## ExtraSilent program

With either a few dishes to clean, or a party's worth, you'll find the dishwashers in the ProClean™ range to be our quietest ever. Featuring an improved tub design using inverter motor technology, the ExtraSilent program noise level is only 40 dB(A), so low you will barely know its there.

---

## Specifications

### PRODUCT PROFILE

Domestic warranty details (yrs)	5
Type of Dishwashers	built under
Place settings	14
Drying system	AirDry
Number of spray arms	3
Top shower	No

### DIMENSIONS

Total height (mm)	818
Total width (mm)	596

### SPECIFICATION

Water Efficiency Star Rating	4.5
Water consumption (litres)	12.5
Energy Efficiency Star Rating	3
Energy consumption cold water (kWhr/yr)	287
Noise level dBA	40
Water supply	cold
Basket colour	grey
Service cord length	1600
Inverter system	Yes

### WASH PROGRAMS

Number of Programs	8
--------------------	---

## DIMENSIONS

Total depth (mm)	570
Height adjustment (mm)	60
Cabinet requirement excluding worktop (height)	820-880
Cabinet requirement excluding worktop(width)	600
Cabinet requirement excluding worktop (depth)	570

## CONTROL PANEL

Control panel type	LED Display, Touch Control electronic
Top mounted control panel	Yes
Control panel finish	stainless steel
Display indicators	service code, program selected, delay start, rinse aid, fault display, TimeSaver, end , XtraDry, My Favourite

## EXTERIOR

## WASH PROGRAMS

Programs	Auto 45-70, Extra Silent, 30 minute 60°, Eco 50°C, GlassCare 45°C, ProZone, rinse and hold, Intensive 70°C
Wash option	TimeSaver, Delay start (1-24 hours), XtraDry, My Favourite
Range of temperatures	5

## FEATURES

Other Features	load sensing, delay start, Auto Off, Soil Level Sensor
Water safety system	anti-flood protection, aqua control
Filter system	3 stage
Dispenser	detergent, rinse aid
Number of spray levels	5

## UPPER BASKET

## EXTERIOR

Door finish	mark resistant stainless steel
Side colour	grey
Plinth colour (kickboard)	no plinth supplied

## LOWER BASKET

Lower Basket Features	ComfortLift
Foldable Racks	4

## SHIPPING

Shipping Volume (m3)	0.389
Shipping Weight (Kg)	47.7
Pack Dimensions Height (mm)	870
Pack Dimension Width (mm)	635

## UPPER BASKET

Upper basket features	soft spikes for tall glass,Cutlery Tray,SoftGrip,ComfortRail,easy lift adjustable upper basket
Foldable cup shelves	4
Foldable Racks	2

## HOSES

Inlet hose length	1800
Drain hose length	1800
extension hose	spare part

## STUFFING QUANTITIES

20ft	54
40ft	108
40ft HC	150

## SHIPPING

---

Pack Dimension Depth (mm)	680
------------------------------	-----

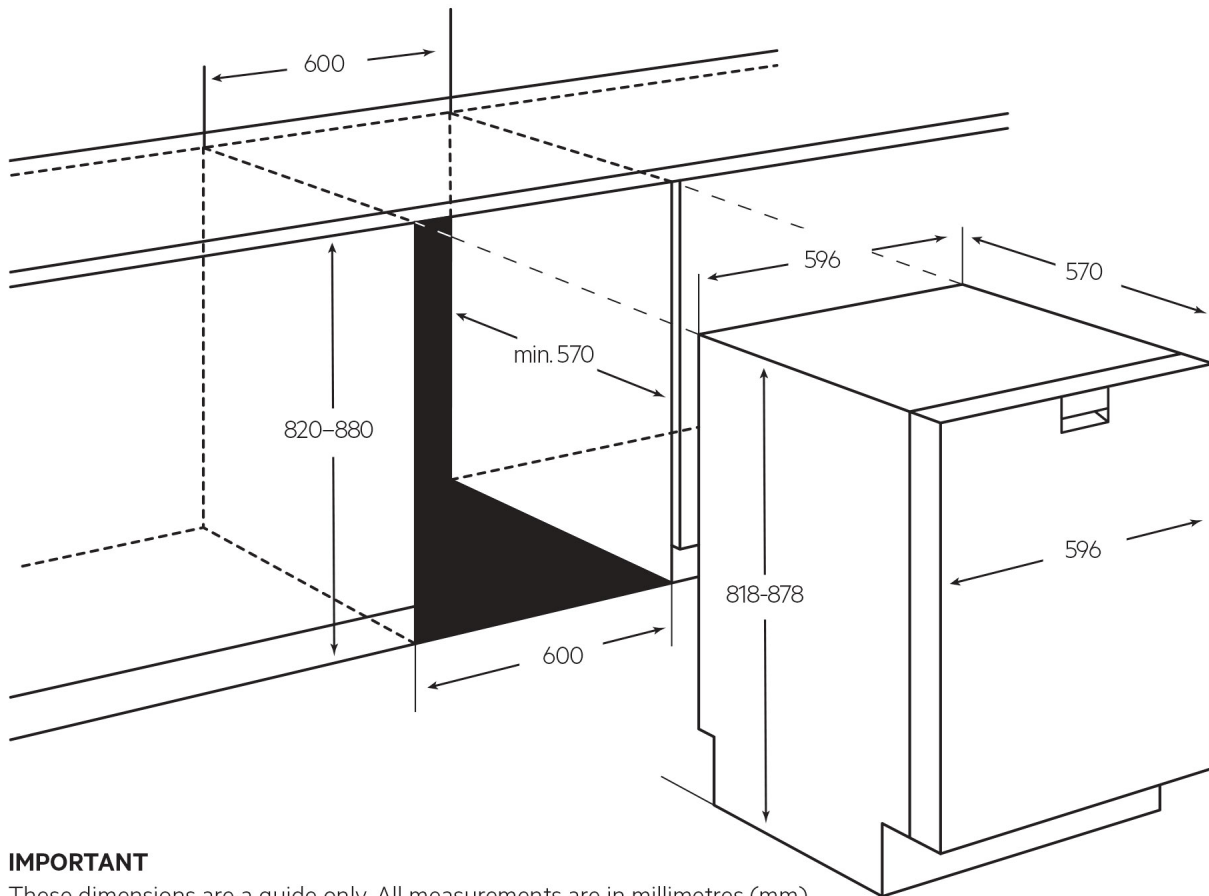
---

## Dimensions

Built-under dishwasher

**FFE83800PM | FFE72800PM**

**FFE72730PM | FFE72730PW**



**IMPORTANT**

These dimensions are a guide only. All measurements are in millimetres (mm). For complete installation instructions, refer to the manual provided with product.



## Terms and Conditions

### IMPORTANT

This is a guide of product dimensions only. For complete installation instructions, refer to the manual provided with product.

### PRODUCT INFORMATION

The descriptors and illustrations in this publication apply to the specific products and models described as at the date of issue. Under our policy of continuous product development, product specifications may change without notice. Prospective purchasers should therefore check with their retailer to ensure this publication correctly describes the products that are being offered for sale. All information supplied is to be used for general reference purposes only and is on the understanding that Electrolux Home Products Pty Ltd (Australia) and Electrolux (NZ) Ltd (New Zealand) will not be liable for any loss, liability or damage of whatever kind arising as a result of reliance on such information. Colours of products illustrated are as close as printing limitations allow. Electrolux will at all times comply with its obligations pursuant to law including Trade Practices (Australian Consumer Law) Act and Regulations.

### WARRANTY

Electrolux Home Products warrants that for domestic applications the AEG appliances featured are free from defects in materials and workmanship for 5 years (3 months warranty for commercial applications). All warranties are subject to the conditions set out in the warranty card accompanying the product when purchased.

#### ELECTROLUX HOME PRODUCTS AUSTRALIA

telephone: 1300 363 664

fax: 1800 350 067

email: [customercare@aegaustralia.com.au](mailto:customercare@aegaustralia.com.au)

web: [www.aeg.com/au](http://www.aeg.com/au)

#### ELECTROLUX HOME PRODUCTS NEW ZEALAND

telephone: 0800 10 66 10

fax: 09 573 2221

email: [customercare@electrolux.co.nz](mailto:customercare@electrolux.co.nz)

web: [www.aeg.com/au](http://www.aeg.com/au)