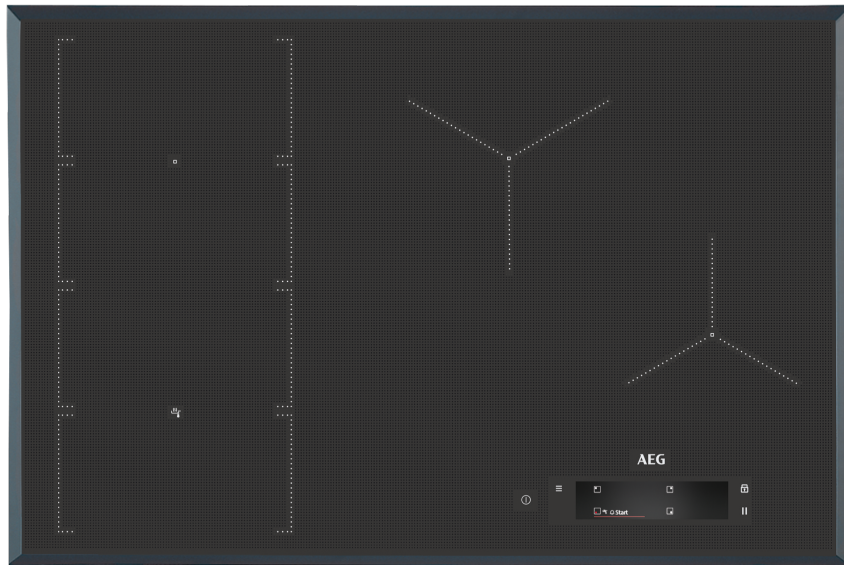


80cm SenseFry induction cooktop with TFT touchscreen, FlexiBridge with ProCook function, and Hob2Hood.



Product Details

FEATURES

SenseFry Assisted Cooking	FlexiBridge function	ProCook function	Hob2Hood Hob2Hood automatically adjusts your hood settings so you can focus on creating delicious dishes.
TFT Display	OptiHeat™ control The OptiHeat™ control helps you make the most efficient use of residual heat. It advises 3 levels of residual heat whether the heat zone is still hot enough to cook with, hot enough to keep food warm, or simply hot to touch.	Pause Function The pause function sets zones to the lowest setting to keep dishes warm and prevent overcooking.	Minute Minder
Ok timer	Function control lock		

BENEFITS

RESULTS. WITHOUT THE GUESSWORK WITH SENSEFRY
Use the intelligent touchscreen on the SenseFry induction cooktop to select the food and desired result. The technology maintains an even heat to deliver perfectly fried food. No need to adjust the temperature during cooking. And no more guessing when the pan is at the right temperature.

VERSATILITY FOR EVERY PURPOSE
Preparing many dishes simultaneously, or cooking for a dinner party? FlexiBridge is designed for those occasions when you need more options, less stress and, of course, impressive results. The FlexiBridge feature means you can customize your cooking area, combining up to four segments with consistent, even heat distribution. It accommodates large or long pans and ideal for when cooking several dishes together that need extra space.

ProCook

At the touch of a button, the FlexiBridge cooking zone switches to three pre-set temperature levels: high, medium and low so you can simply move the pan to seamlessly go from boil to simmer.

COOK WITHOUT DISTRACTIONS

The handy Hob2Hood feature automatically controls the hood's fan and lights. This saves you getting distracted trying to regulate the fan when you're focused on frying, sautéing, simmering or steaming your dishes on the cooktop. If you'd rather adjust the fan speed yourself, there are manual controls, too. Because this cooktop is flexible like that.

ONE TOUCHSCREEN. TOTAL CONTROL OVER COOKING

The single, full colour touchscreen gives you complete control over the entire cooktop. Monitor live feedback for each zone and tailor the settings to your recipe repertoire. It's an intuitive way to finesse the way you cook with just a touch.

Specifications

PRODUCT PROFILE

Domestic warranty details (yrs)	5
Cooktop type	induction
Materials/Colour	black ceramic glass
Trim finish	bevelled sides only

DIMENSIONS

Total product width (mm)	780
Total product depth (mm)	520
Cut out width (mm)	750
Cut out depth (mm)	490
Cut out height (mm)	44

CONTROLS

Controls of Cooktops	TFT Touchscreen
Position of controls	front
Functions of Cooktops	automatic switch off, FlexiBridge, acoustic signal, booster, Hob2Hood, timer, pause, ProCook, PowerSlide
Indicators/display	fault indicator, 3 level residual heat indicator
Features of Cooktop	minute minder, function lock, sound off, Hob2Hood Connectivity, FlexiBridge zone, automatic pan sensing
Timer of Cooktop	Oko timer, Minute minder, CountUp

ELEMENTS/BURNERS

LEFT FRONT ZONE

Left front zone	FlexiBridge
Left front Watts	2300
Left front boost watts	3200
Left front diameter mm	220

LEFT REAR ZONE

Left rear zone	FlexiBridge
Left rear watts	2300
Left rear diameter mm	220

CENTRE REAR ZONE

Centre rear zone	induction
Centre rear Watts	2300
Centre rear diameter mm	210

RIGHT FRONT ZONE

Right front zone	induction
Right front Watts	1800
Right front diameter mm	180

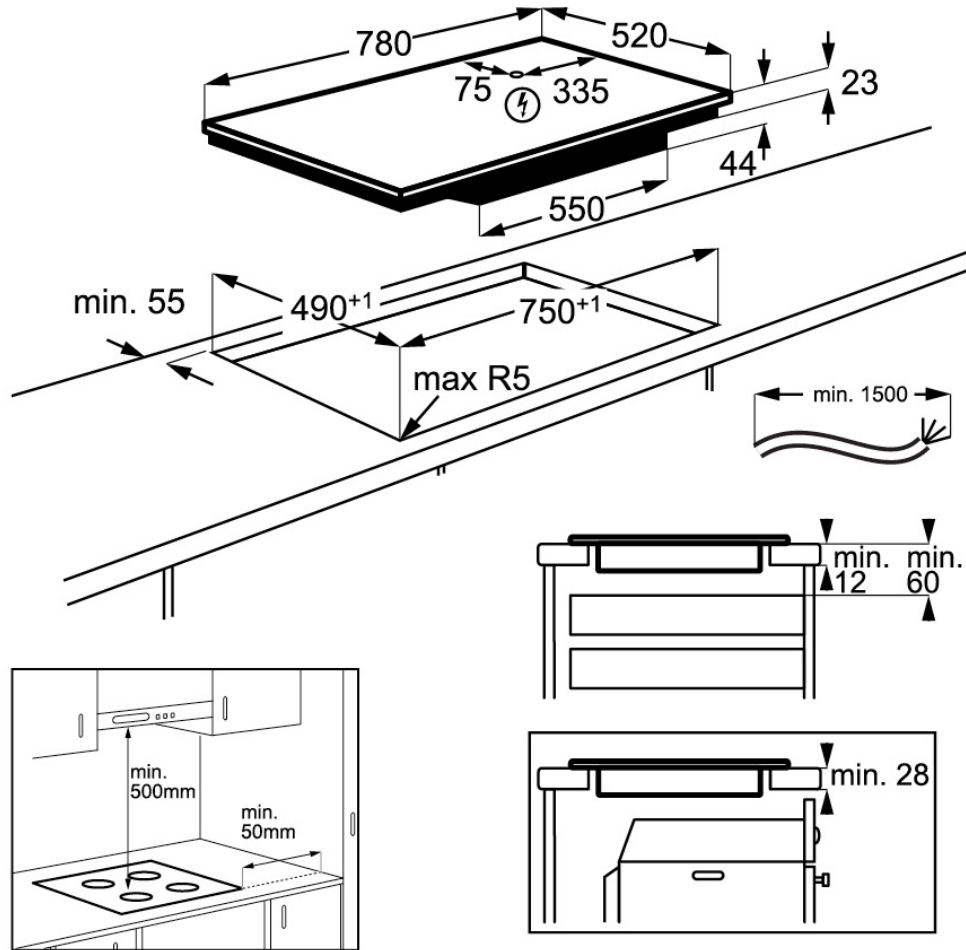
ELECTRICAL SPECIFICATIONS

Connected load KW	7.4
Type of connection	hardwired

SHIPPING

Shipping Volume (m3)	0.062
Shipping Weight (Kg)	14
Pack Dimensions Height (mm)	118
Pack Dimension Width (mm)	868
Pack Dimension Depth (mm)	600

Dimensions



IMPORTANT

These dimensions are a guide only. All measurements are in millimetres (mm).
 For complete installation instructions, refer to the manual provided with product.

Terms and Conditions

IMPORTANT

This is a guide of product dimensions only. For complete installation instructions, refer to the manual provided with product.

PRODUCT INFORMATION

The descriptors and illustrations in this publication apply to the specific products and models described as at the date of issue. Under our policy of continuous product development, product specifications may change without notice. Prospective purchasers should therefore check with their retailer to ensure this publication correctly describes the products that are being offered for sale. All information supplied is to be used for general reference purposes only and is on the understanding that Electrolux Home Products Pty Ltd (Australia) and Electrolux (NZ) Ltd (New Zealand) will not be liable for any loss, liability or damage of whatever kind arising as a result of reliance on such information. Colours of products illustrated are as close as printing limitations allow. Electrolux will at all times comply with its obligations pursuant to law including Trade Practices (Australian Consumer Law) Act and Regulations.

WARRANTY

Electrolux Home Products warrants that for domestic applications the AEG appliances featured are free from defects in materials and workmanship for 5 years (3 months warranty for commercial applications). All warranties are subject to the conditions set out in the warranty card accompanying the product when purchased.

ELECTROLUX HOME PRODUCTS AUSTRALIA

telephone: 1300 363 664

fax: 1800 350 067

email: customercare@aegaustralia.com.au

web: www.aeg.com/au

ELECTROLUX HOME PRODUCTS NEW ZEALAND

telephone: 0800 10 66 10

fax: 09 573 2221

email: customercare@electrolux.co.nz

web: www.aeg.com/au